

Keep Rolling For You

持續為您轉動



宏泰塑膠企業有限公司
HUNTAI PLASTIC CO., LTD.

47-7 Annan Lane, Chinling Village, Hsiushui Hsiang,
Changhua Hsien, Taiwan 504
Tel : 886-4-768-5555 (Rep.) Fax : 886-4-768-6868
E-mail : huntai@ms56.hinet.net
<http://www.huntai.com.tw>



ABOUT US

Keep Rolling For You
持續為您轉動

Hun Tai Plastic Co., Ltd. (HT in short) originally was the factory specialized in design and manufacture the injection molding machines in Taiwan. Then turn to plastic production industry when the market demands the lightweight plastic components; such as bases, casters, armrests, chair covers, telescopic, and so on. And now HT is one of the leading manufacturers in the field of office chair parts with BIFMA standard quality and on time delivery.

Based on professional experiences in designing molding machines, we are capable of producing OEM items as customer requests and solving the problems regarding to the products and machines. Aside from manufacturing our product range, we accept OEM and customized molding/tooling machine orders.

Hun Tai is strict in quality control, fully hand checked each product and we are experienced with trading, so customer can be assured to get the best products and services.

TIMELINE

- Year 1979: Established Injection Molding Machine Factory.
- Year 1994: Established Plastic Injection Factory and started the production of casters, bases and armrests.
- Year 2004: Relocated PP department to the new factory.
- Year 2006: Added mesh covers into production range.
- Year 2017: Included PU casters into production range.
- Year 2018: Included Stackable chairs into production range.

VISION

Our vision is to be better each day; keep rolling and supporting you.



INDEX

- 01 ABOUT US
- 03 INDEX
- 05 CHAIR BASES
- 12 FOOTRESTS
- 13 CASTERS
- 19 PU CASTERS
- 21 ARMRESTS
- 25 ADJUSTABLE ARMRESTS
- 27 ARM PADS
- 29 TELESCOPIC COVERS
- 31 CHAIR COVERS
- 46 HEADRESTS
- 47 ACCESSORIES
- 48 BACK BONES
- 49 MECHANISMS
- 51 PUBLIC SPACE CHAIRS



HTA

Code	Q'ty / Bundle	Cuft
HTA-270	5	1.08
HTA-300	5	1.46
HTA-320	5	1.73
HTA-350	5	2.5

Material : Nylon



HTC

Code	Q'ty / Bundle	Cuft
HTC-300	5	1.8
HTC-320	5	1.93
HTC-350	5	2.4

Material : Nylon



Base is what it's matter.

**HTD**

Code	Q'ty / Bundle	Cuft
HTD-280	5	1.4
HTD-300	5	1.73
HTD-320	5	2.08
HTD-350	5	2.67

Material : Nylon or PP

HTF

Code	Q'ty / Bundle	Cuft
HTF-300	5	1.73
HTF-320	5	2.08
HTF-350	5	2.5

Material : Nylon or PP

HTE

Code	Q'ty / Bundle	Cuft
HTE-240	5	1
HTE-280	5	1.4
HTE-300	5	1.73
HTE-330	5	2.13
HTE-350	5	2.6

Material : PP

HTE-240: Nylon & PP available

HTH

Code	Q'ty / Bundle	Cuft
HTH-280	5	NA
HTH-300	5	NA

Material : PP

**HTK**

Code	Q'ty / Bundle	Cuft
HTK-300	5	1.8
HTK-320	5	2.2
HTK-350	5	2.75

Material : Nylon

**HTL**

Code	Q'ty / Bundle	Cuft
HTL-280	5	1.4

Material : Nylon

HTM

Code	Q'ty / Bundle	Cuft
HTM-350	5	2.75

Material : Nylon

**HTN**

Code	Q'ty / Bundle	Cuft
HTN-315	5	1.8
HTN-350	5	2.75

Material : Nylon

HTI

Code	Q'ty / Bundle	Cuft
HTI-300	5	3.94

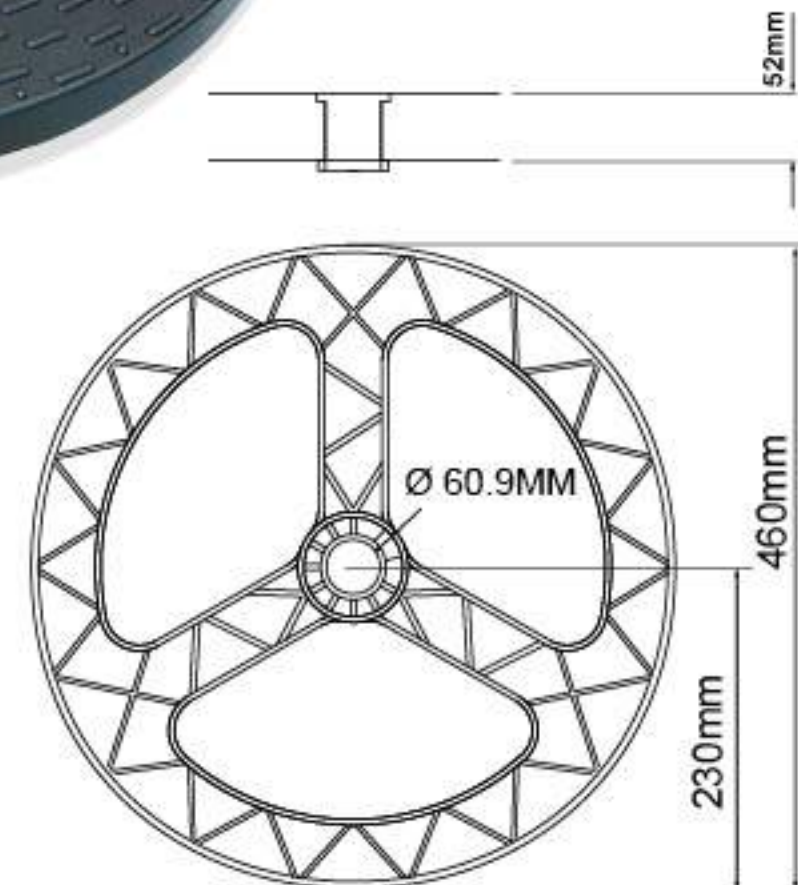
Material : Nylon



HT-G01

Code	PCS / CTN	Cuft
HT-G01	12	4.9

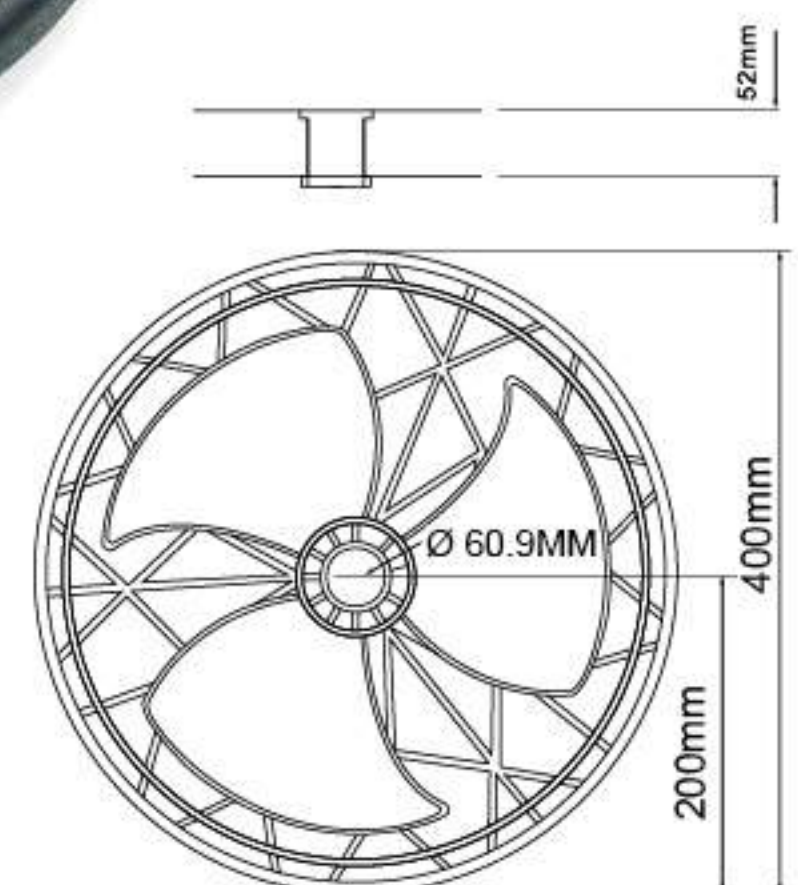
Material : Nylon or PP



HT-G02

Code	PCS / CTN	Cuft
HT-G02	16	4.9

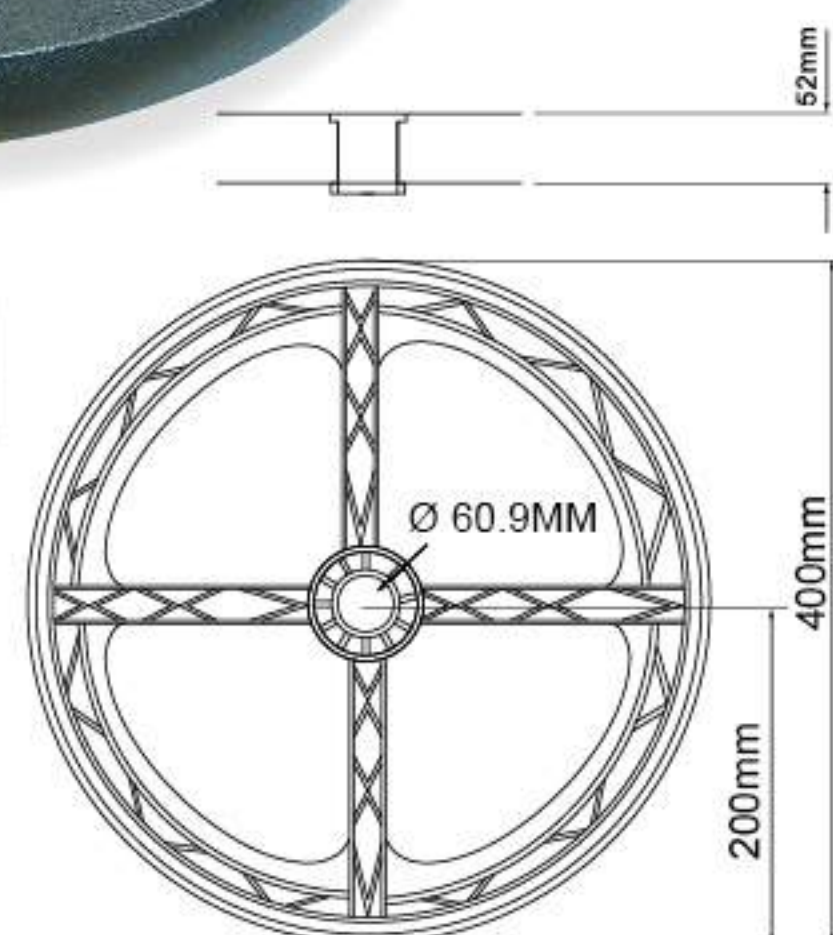
Material : PP



HT-G03

Code	PCS / CTN	Cuft
HT-G03	16	4.9

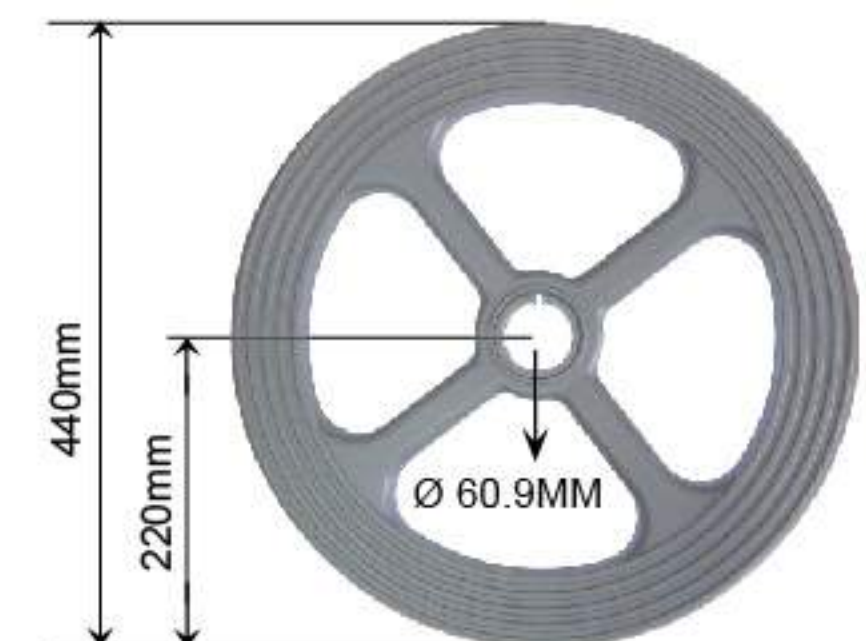
Material : PP



HT-G04

Code	PCS / CTN	Cuft
HT-G04	16	4.9

Material : Nylon or PP



CASTERS



A good caster would take you to the heaven,
otherwise it could slide you straight to the ground.



HT-3850A

Hood : Nylon or PP
Wheel : Nylon or PP



HT-3850AC

Hood : Nylon
Wheel : Nylon



HT-3850CP

Hood : Nylon
Wheel : Nylon
Chrome Plated or Painted



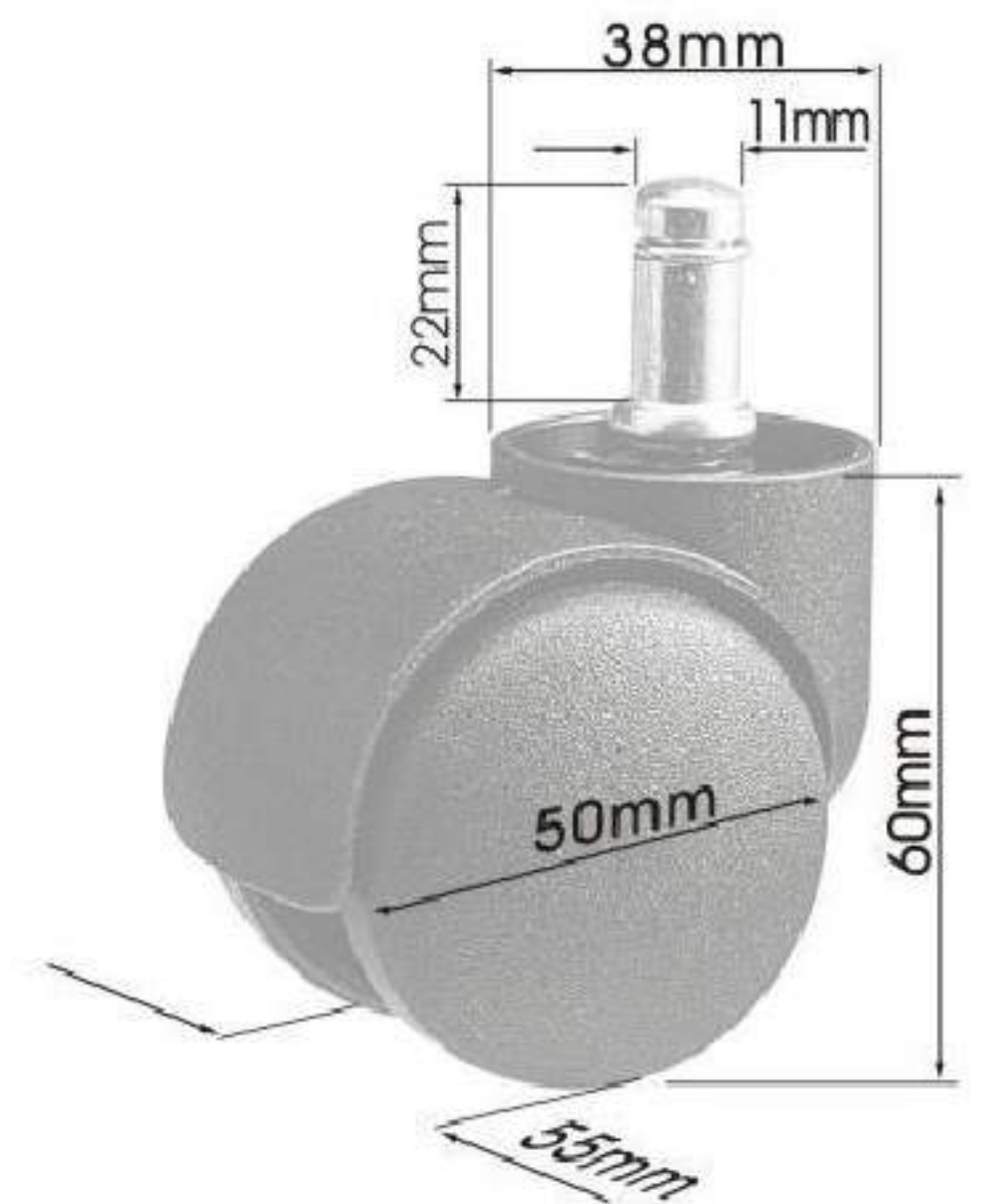
HT-3850B

Hood : PP
Wheel : Nylon or PP



HT-3850B-HD

Hood : PP
Wheel : Nylon



150pcs/CTN/1.3'



HT-4250
150pcs/CTN/1.4'



HT-85
150pcs/CTN/1.3'



HT-1760
150pcs/CTN/1.4'



HT-1340
300pcs/CTN/1.3'



HT-95
150pcs/CTN/1.3'



HT-100
150pcs/CTN/1.4'



HT-4260
120pcs/CTN/1.4'



HT-85 W/C
150pcs/CTN/1.3'



HT-1760 W/C
150pcs/CTN/1.4'



HT-35
250pcs/CTN/1.3'



HT-45
250pcs/CTN/1.3'



HT-65
150pcs/CTN/1.3'

CASTERS

Hood : PP / Wheel : Nylon



HT-151
150pcs/CTN/1.3'



HT-152
150pcs/CTN/1.3'



HT-153
150pcs/CTN/1.3'



HT-154
150pcs/CTN/1.3'



HT-155
120pcs/CTN/1.3'



HT-151BC
150pcs/CTN/1.3'



HT-152BC
150pcs/CTN/1.3'



HT-153BC
150pcs/CTN/1.3'



HT-154BC
150pcs/CTN/1.3'



HT-155BC
120pcs/CTN/1.3'



HT-156
120pcs/CTN/1.3'



HT-156BC
120pcs/CTN/1.3'



HT-4250PU
150pcs/CTN/1.4'

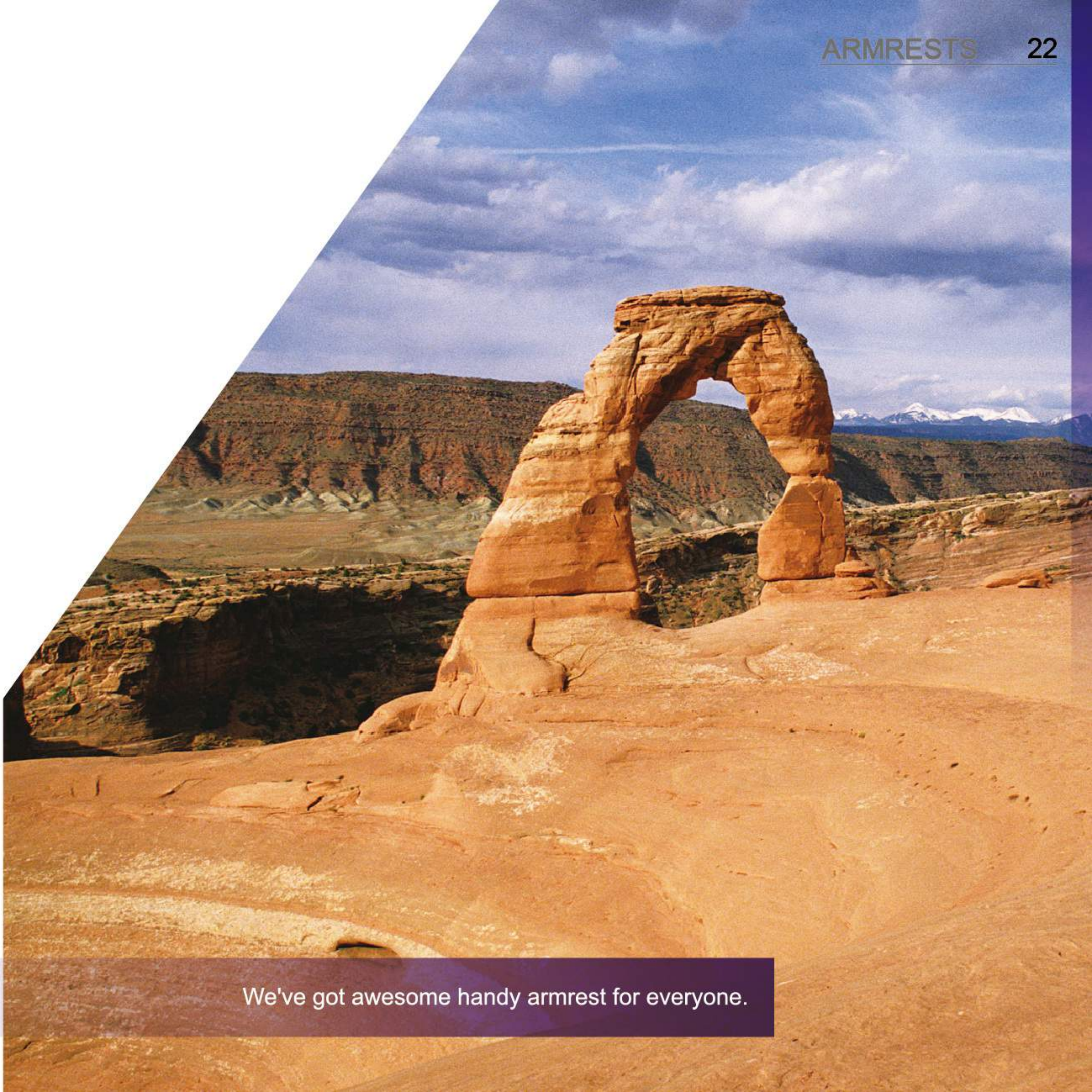


HT-3850PU
150pcs/CTN/1.4'



HT-151PU
150pcs/CTN/1.4'





We've got awesome handy armrest for everyone.



HT-607
16pairs/CTN/2.6'



HT-609
12pairs/CTN/2.6'



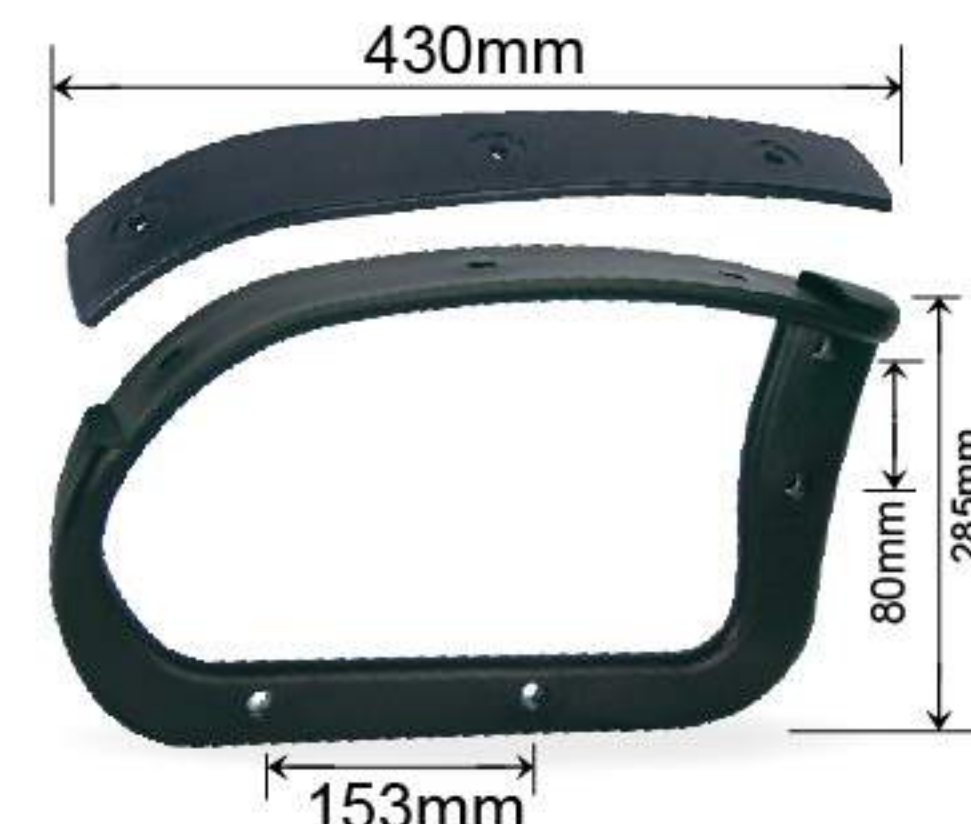
HT-610
18pairs/CTN/3.3'



HT-617
8pairs/CTN/3.3'



HT-618
8pairs/CTN/2.4'



HT-619
8pairs/CTN/2.4'



HT-611
12pairs/CTN/3.3'



HT-612
12pairs/CTN/3.3'



HT-613
10pairs/CTN/3.3'



HT-620
12pairs/CTN/3.3'



HT-625
15pairs/CTN/3.3'



HT-626
8pairs/CTN/2.4'



HT-614
10pairs/CTN/3.3'



HT-615
12pairs/CTN/3.3'



HT-616
7pairs/CTN/3.3'



HT-627
25pairs/CTN/3.3'

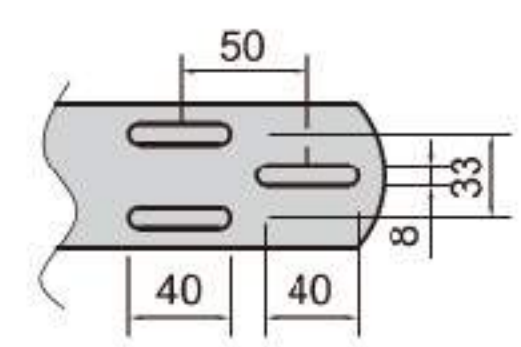
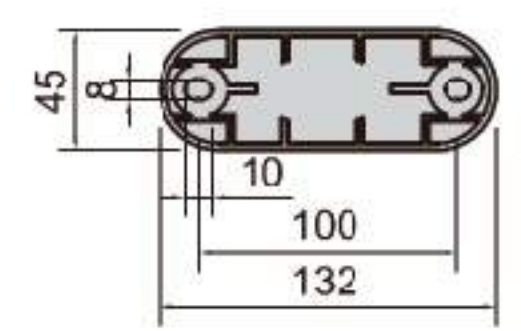
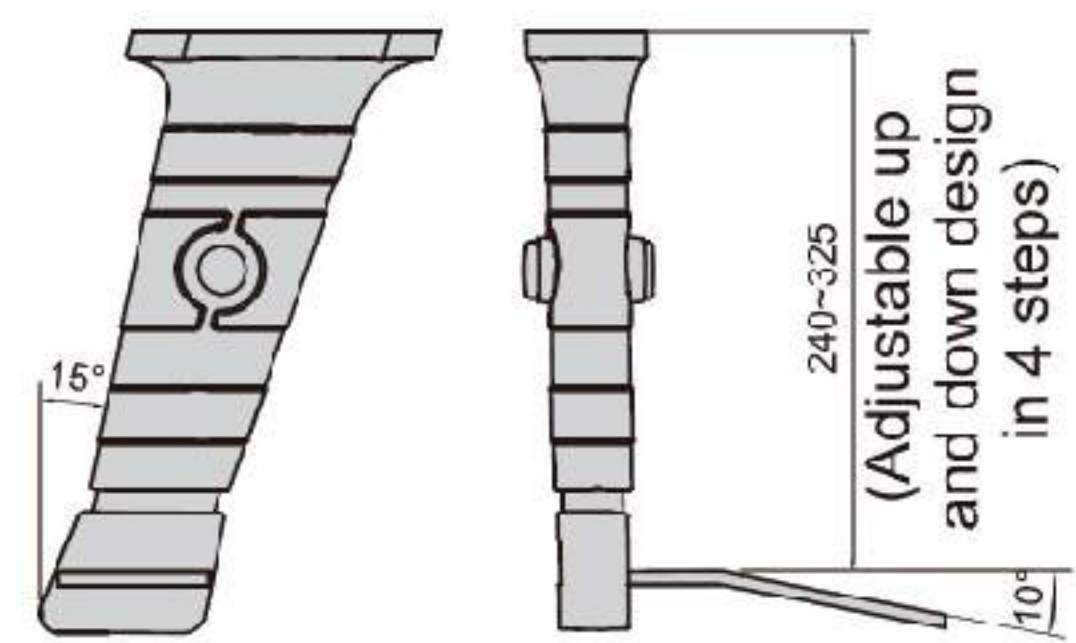


HT-628
9pairs/CTN/2.1'

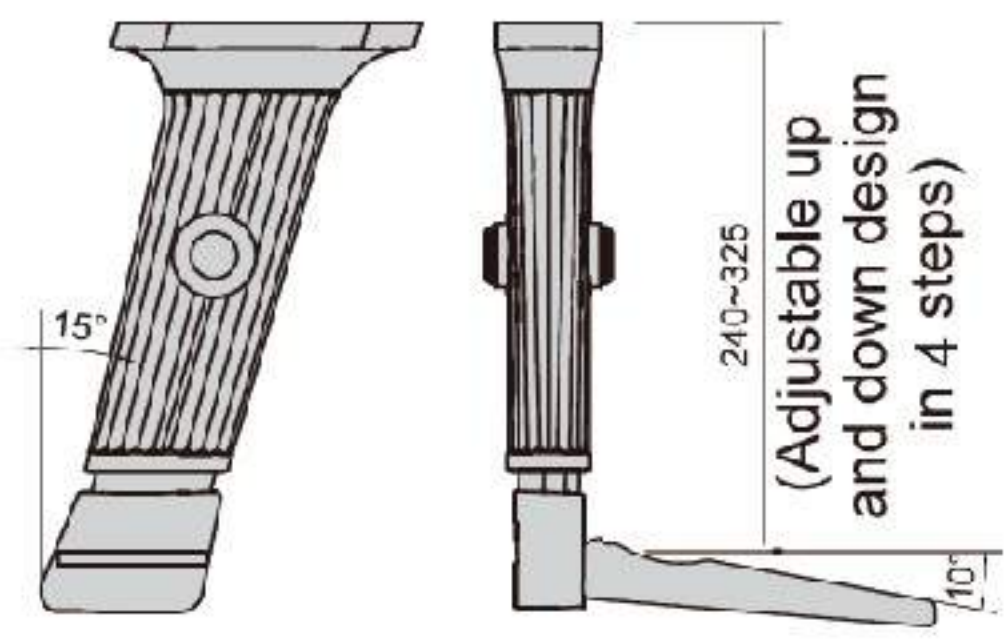


HT-629
10pairs/CTN/2.1'

HT-AD01



HT-AD03



HT-AD02



HT-AD04



10pairs/CTN/1.4'



HT-AD05
6pairs/CTN/2.1'



Action Diagram





HT-PU01



HT-PU02



HT-PU03



HT-PU10



HT-PU11



HT-PU12



HT-PU04



HT-PU05



HT-PU06



HT-PU13



HT-PU14



HT-PU15



HT-PU07



HT-PU08



HT-PU09



HT-PU16



HT-PU17

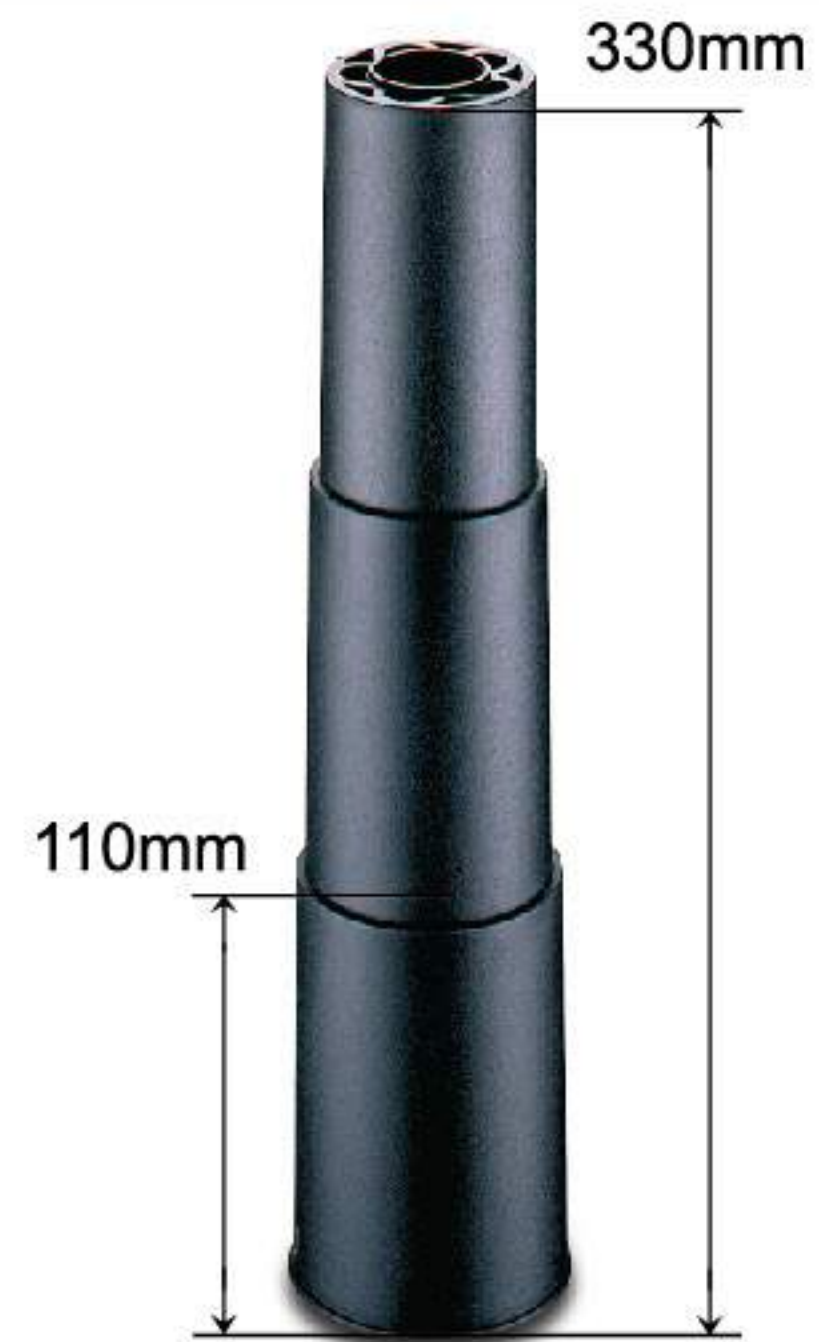


HT-PU18

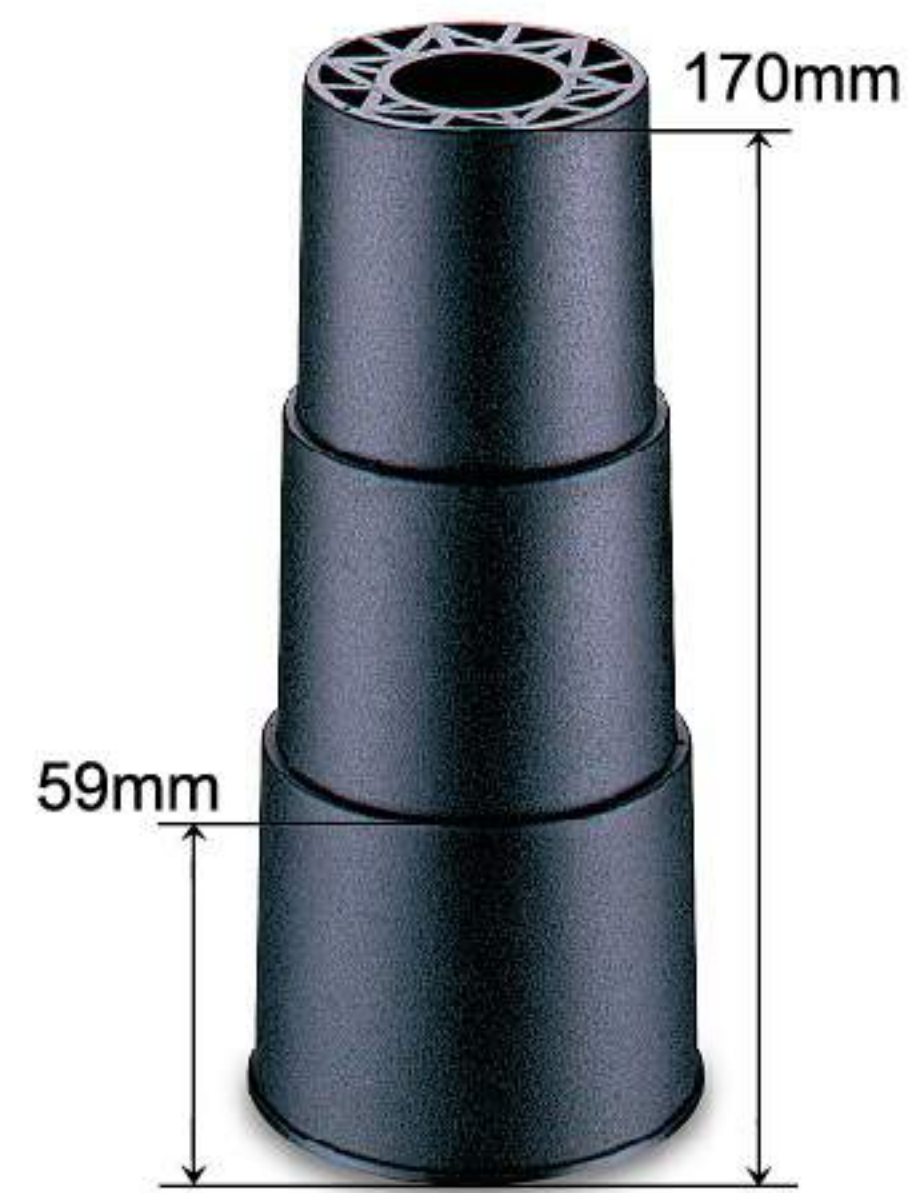
25pairs/CTN/1.35'



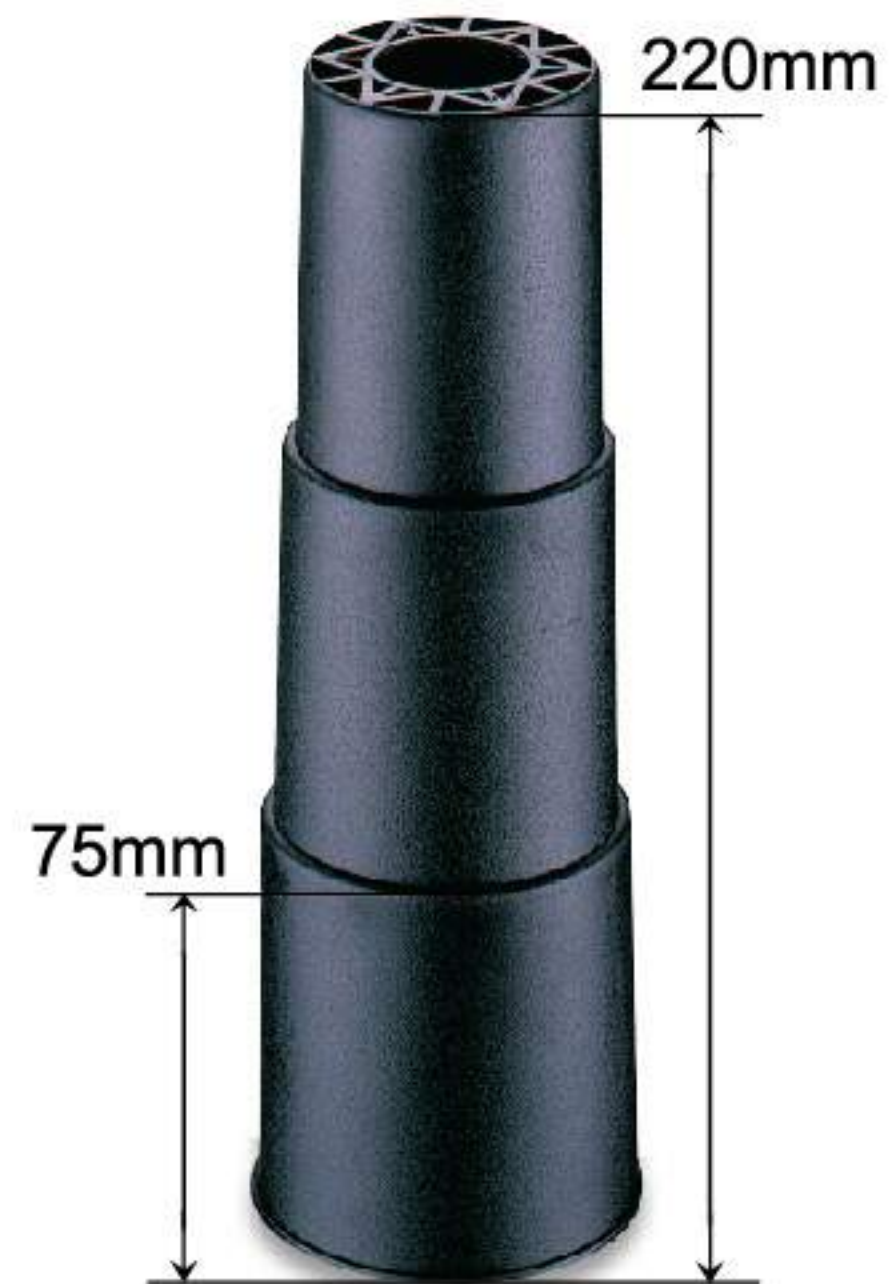
HT-PP01



HT-920
200pcs/CTN/4.7'



HT-921
300pcs/CTN/6.8'



HT-922
300pcs/CTN/6.8'



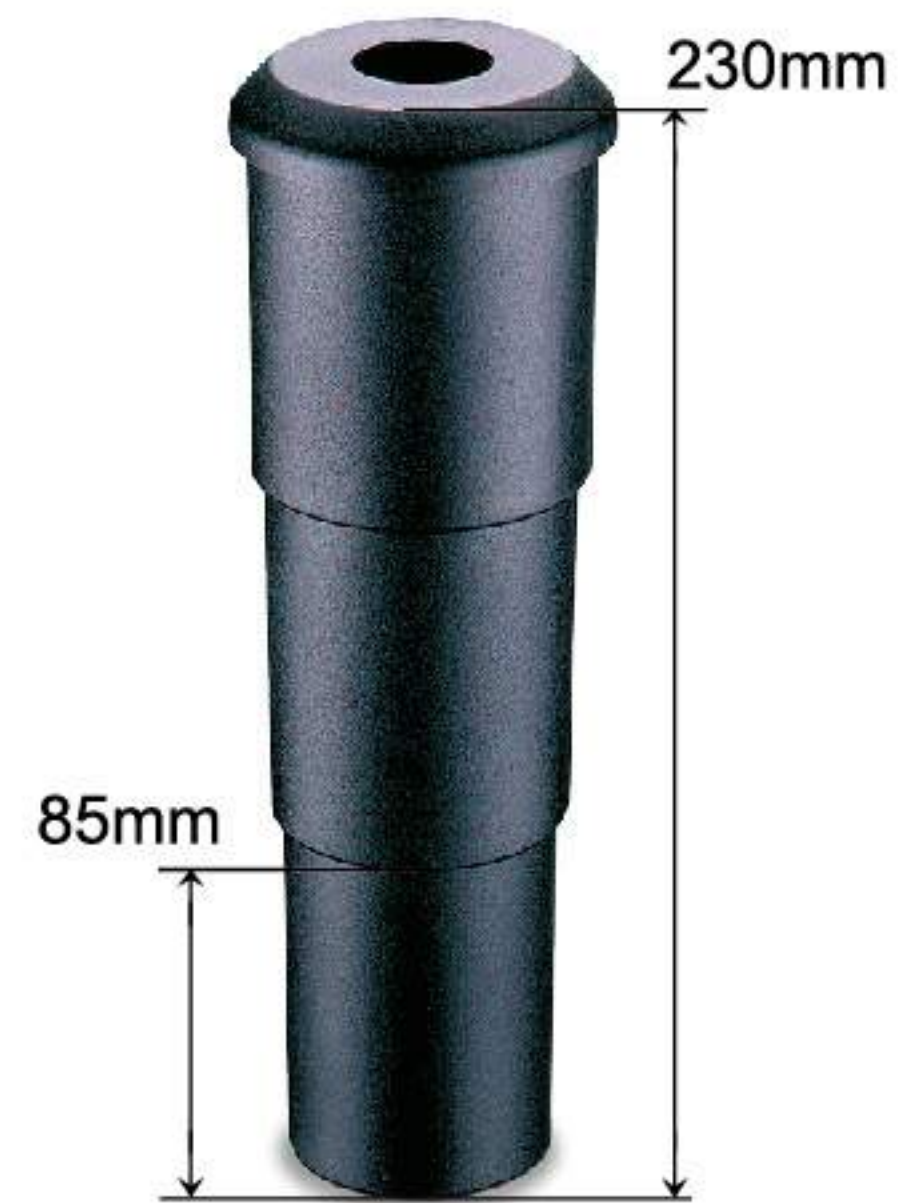
HT-926
200pcs/CTN/6.7'



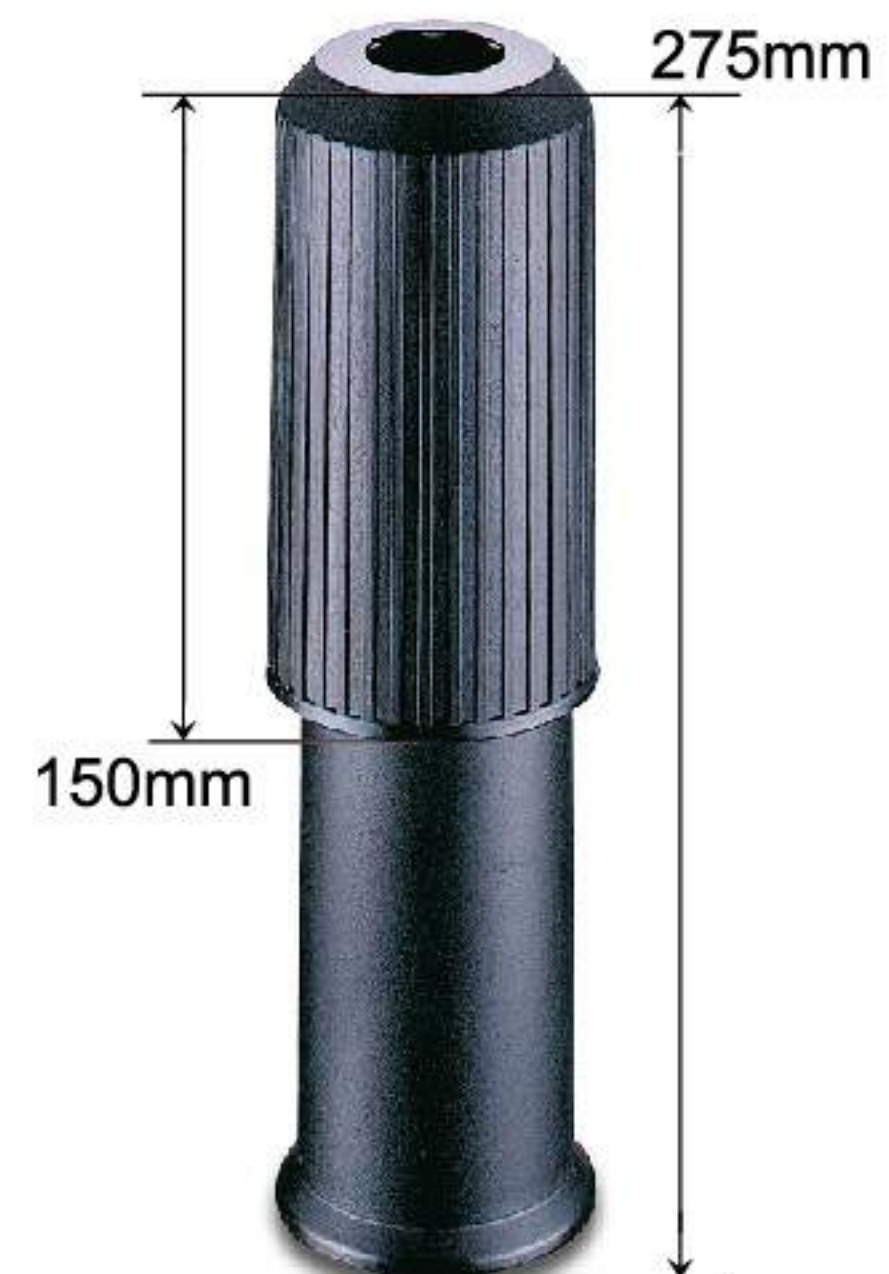
HT-927
200pcs/CTN/4.7'



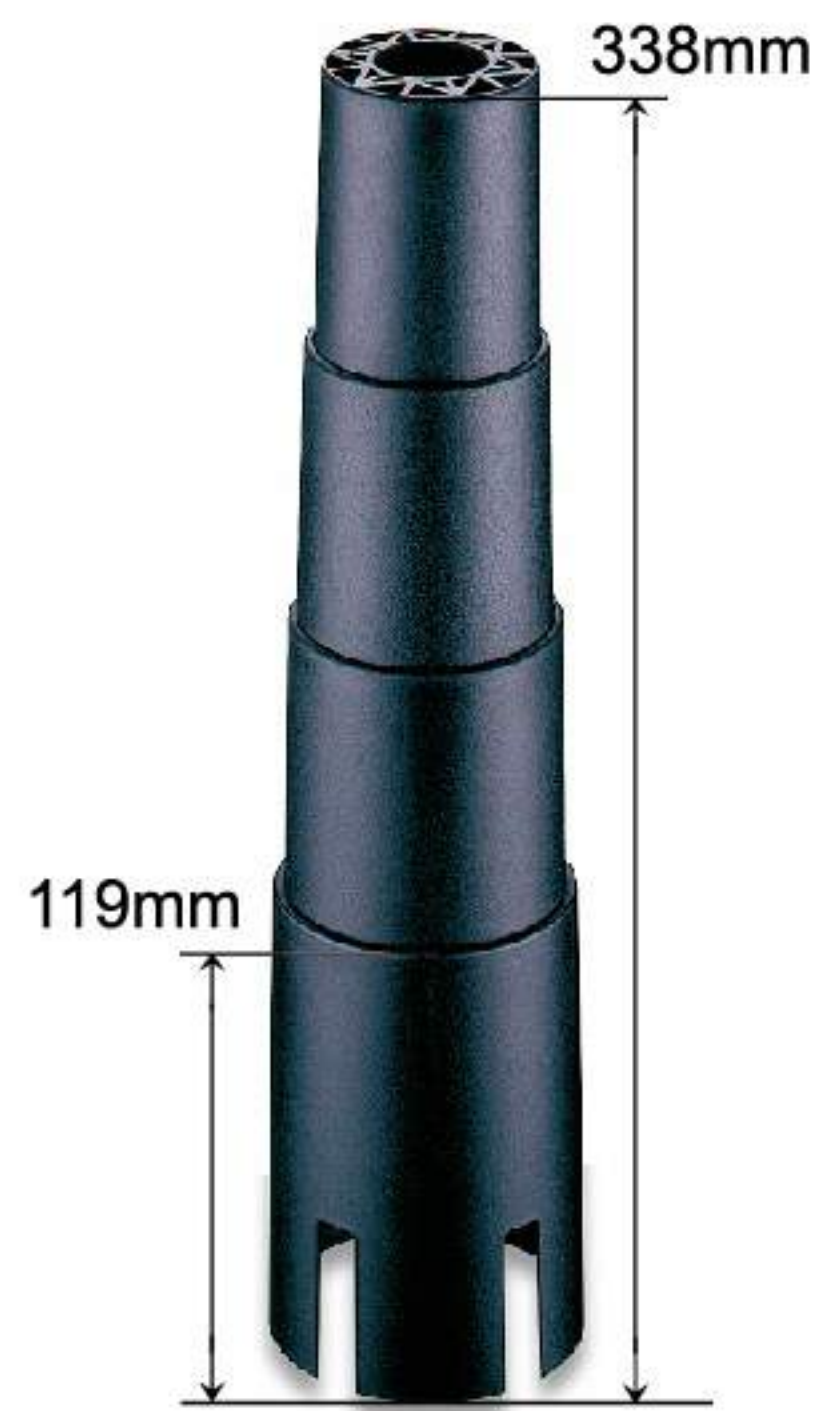
HT-928
200pcs/CTN/4.7'



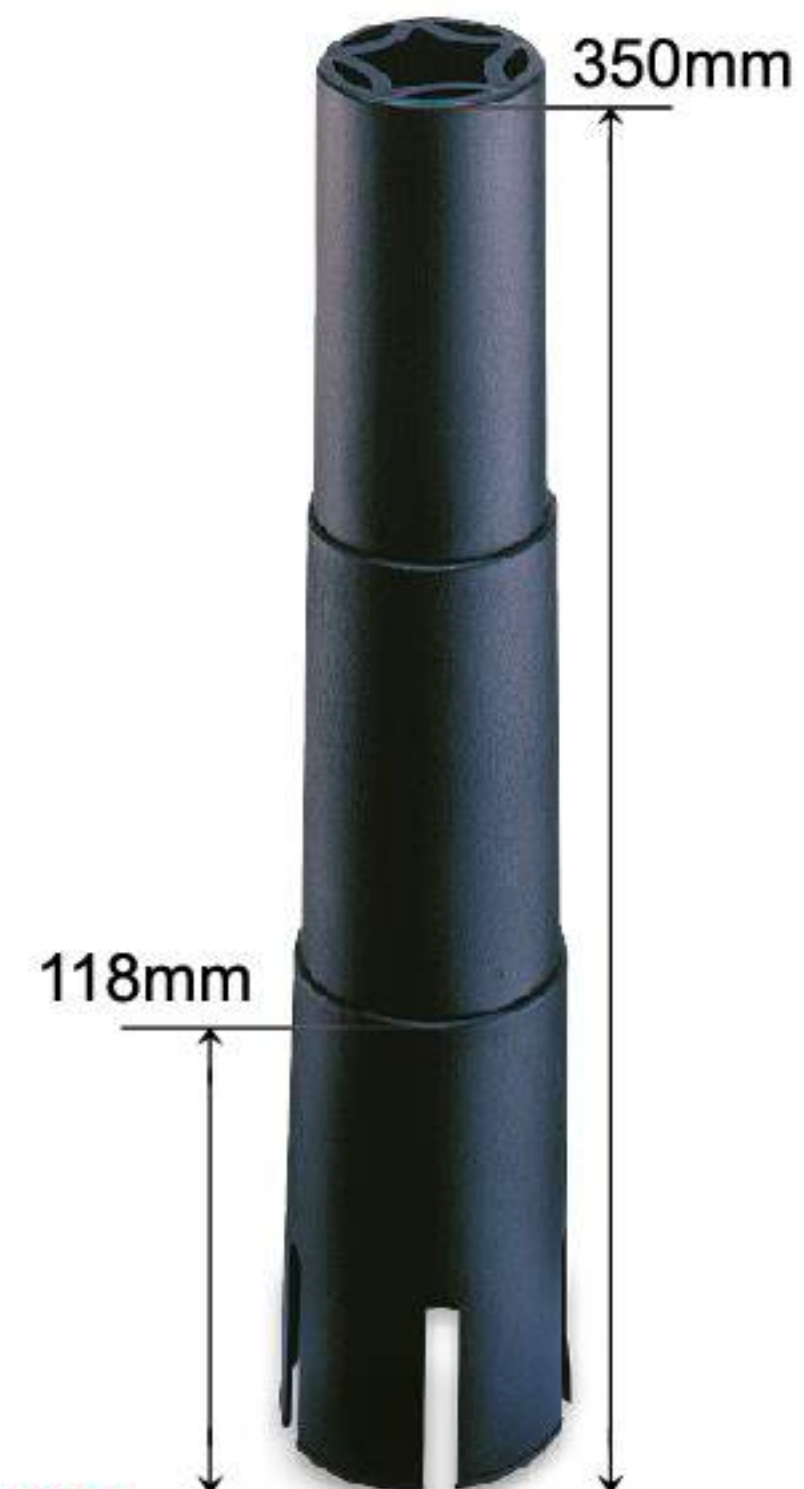
HT-923
250pcs/CTN/5.3'



HT-924
150pcs/CTN/5'



HT-925
200pcs/CTN/6.1'



HT-929
200pcs/CTN/4.7'



HT-930
300pcs/CTN/4.7'

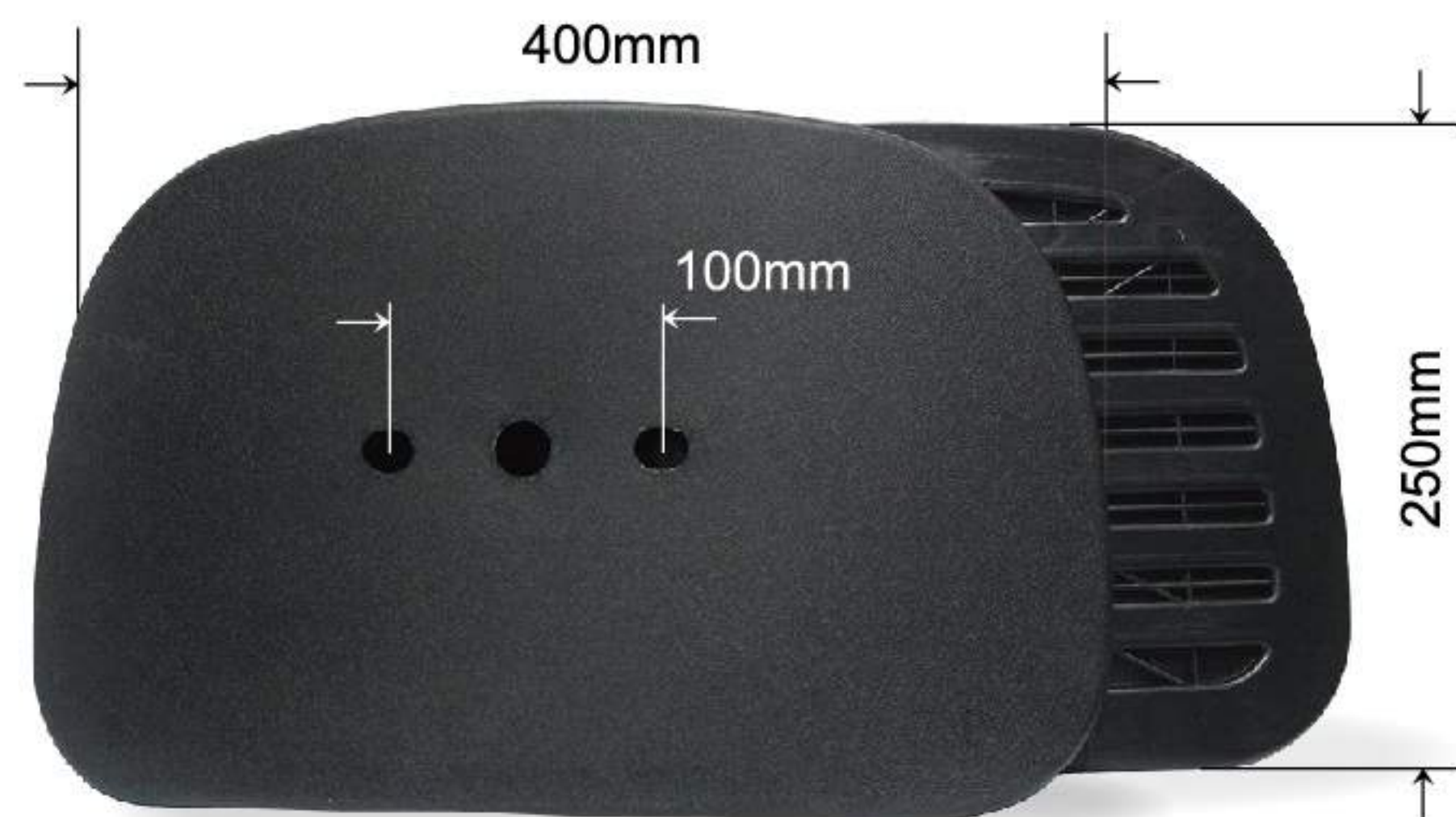


HT-931
426pcs/CTN/4.7'



CHAIR COVERS

Steady as seating in a mountain; comfortable as lying in the arms of nature.



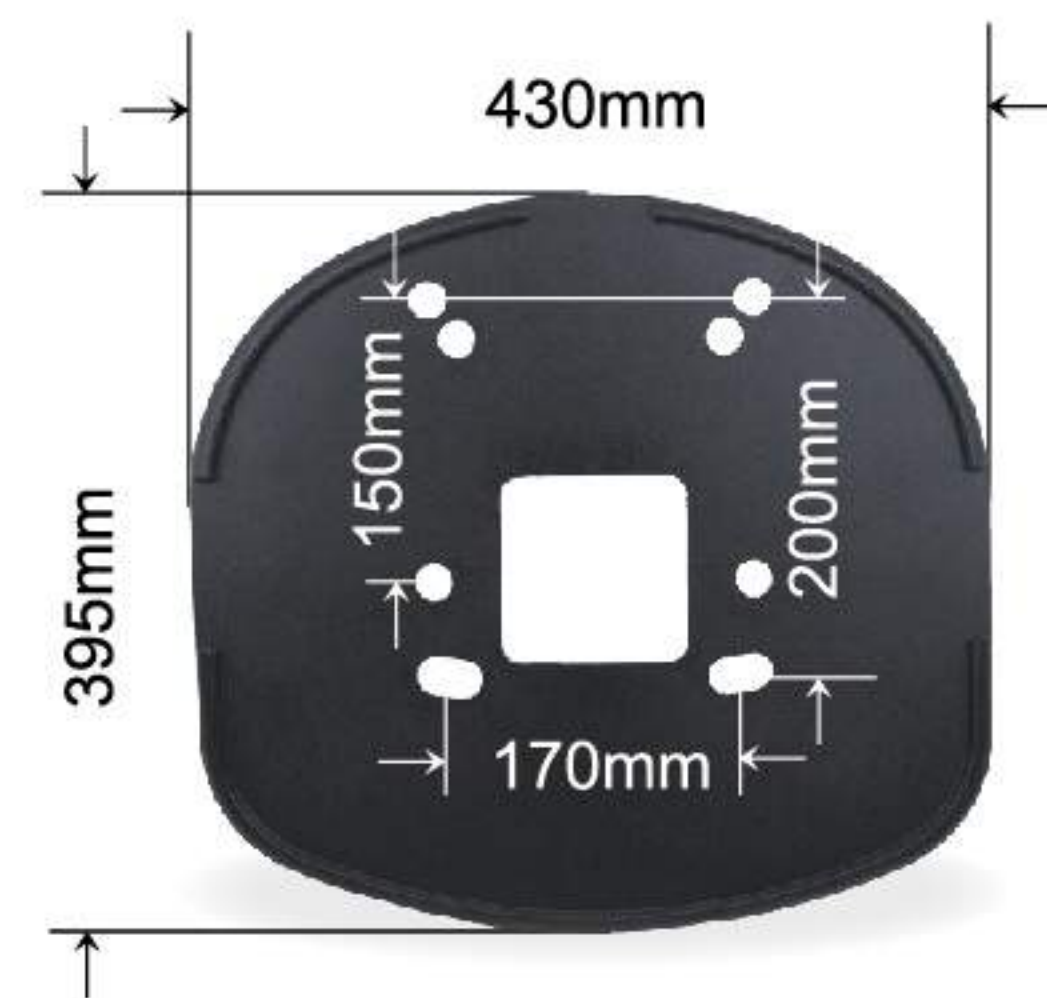
HT-001 + HT-002



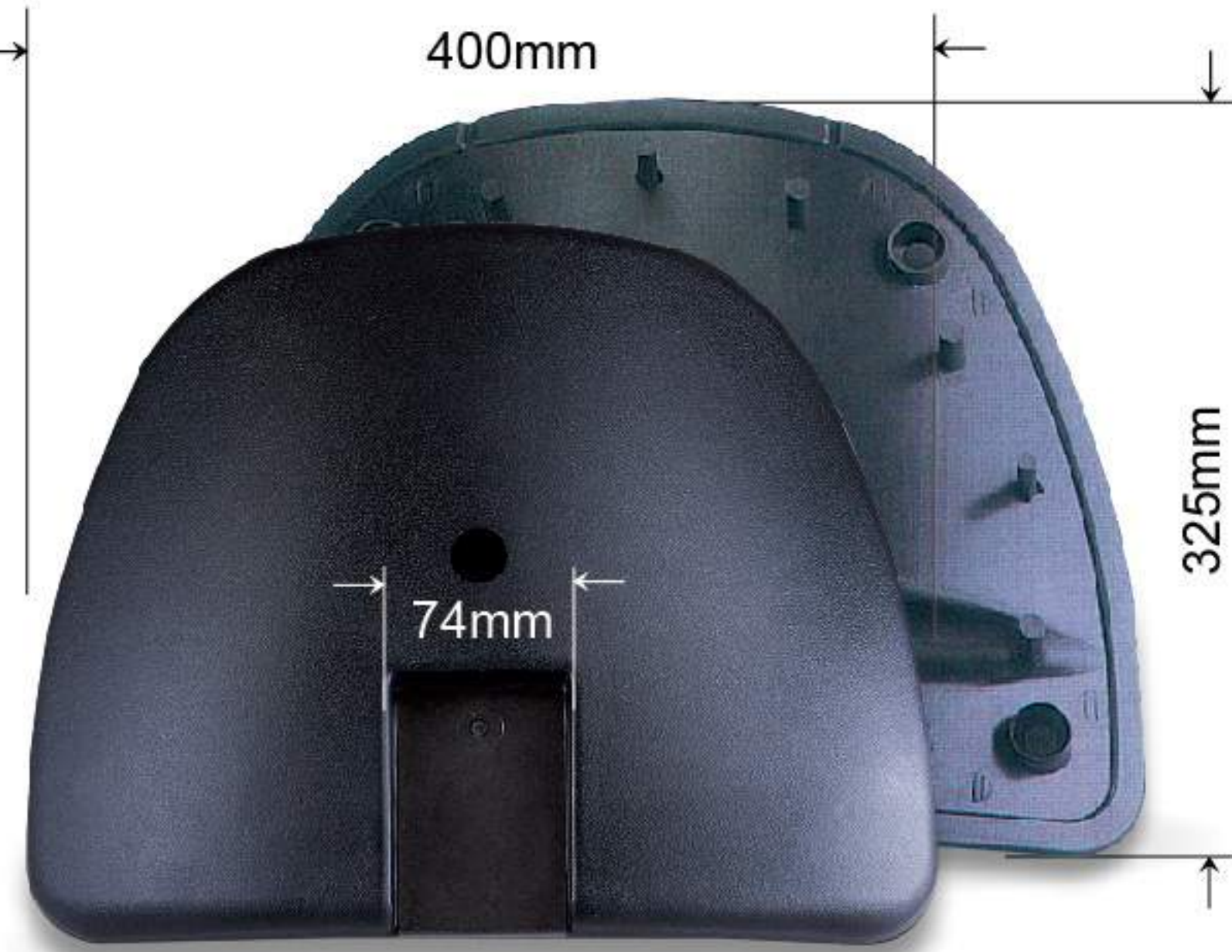
HT-001 Back Outer Cover
50pcs/CTN/3.2'



HT-002 Back Inner Cover
70pcs/CTN/3.6'



HT-003 Seat Cover
40pcs/CTN/4.4'



HT-004 + HT-005



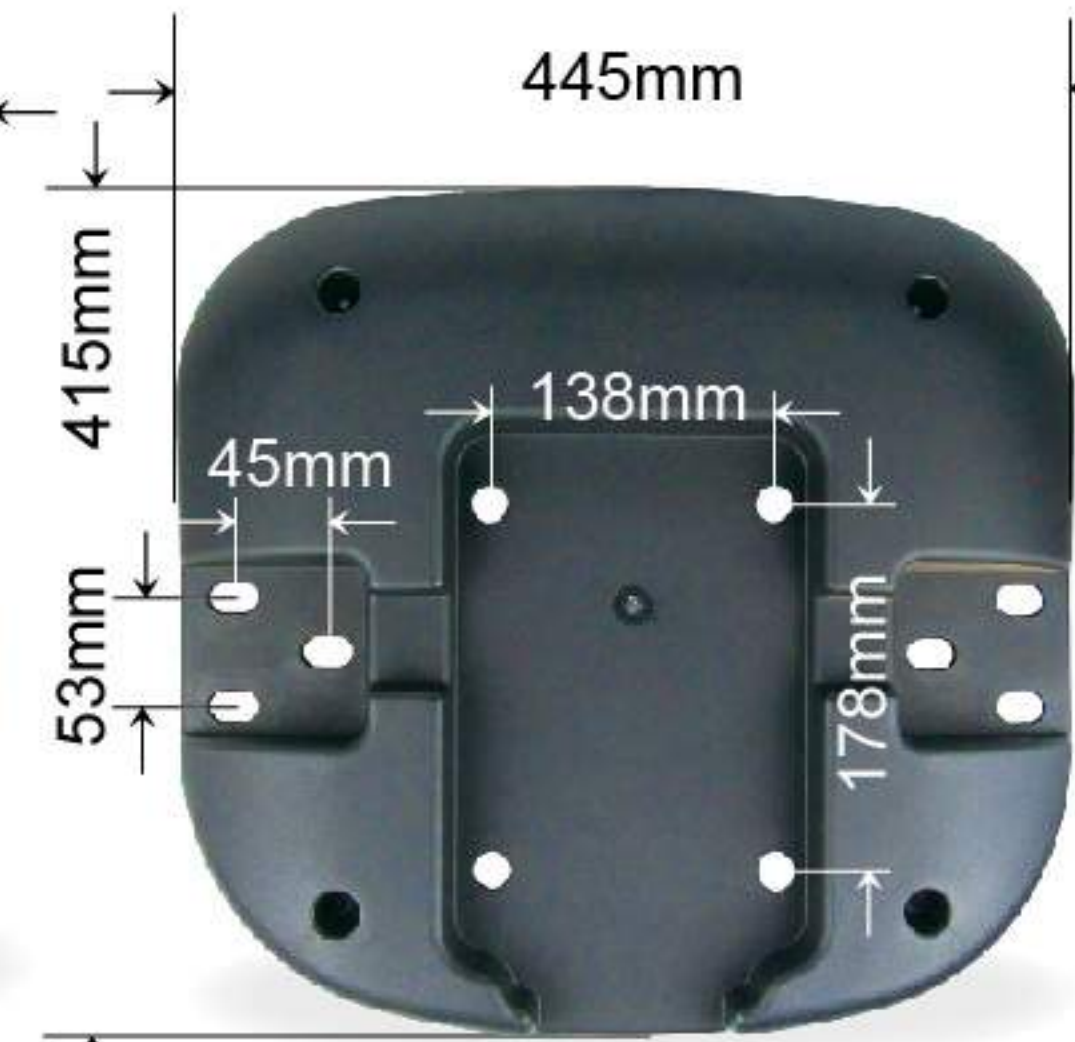
HT-004 Back Outer Cover
20pcs/CTN/3.3'



HT-005 Back Inner Cover
16pcs/CTN/3.5'



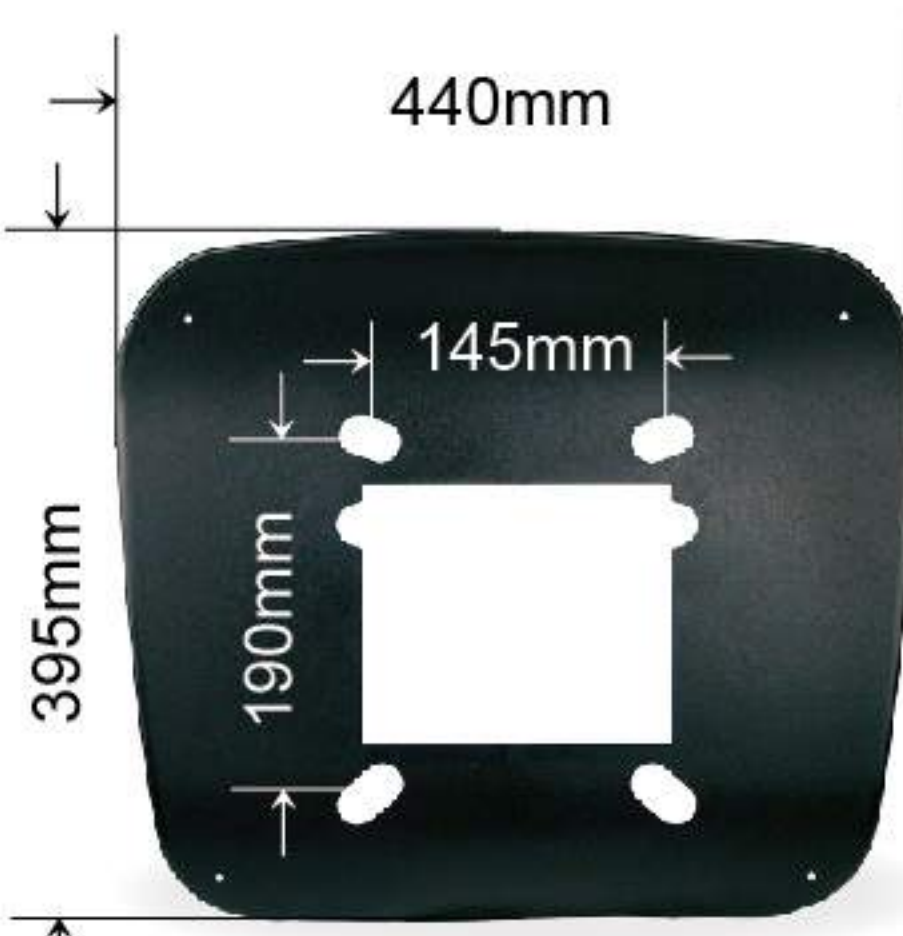
HT-009 Back Cover
40pcs/CTN/3.4'



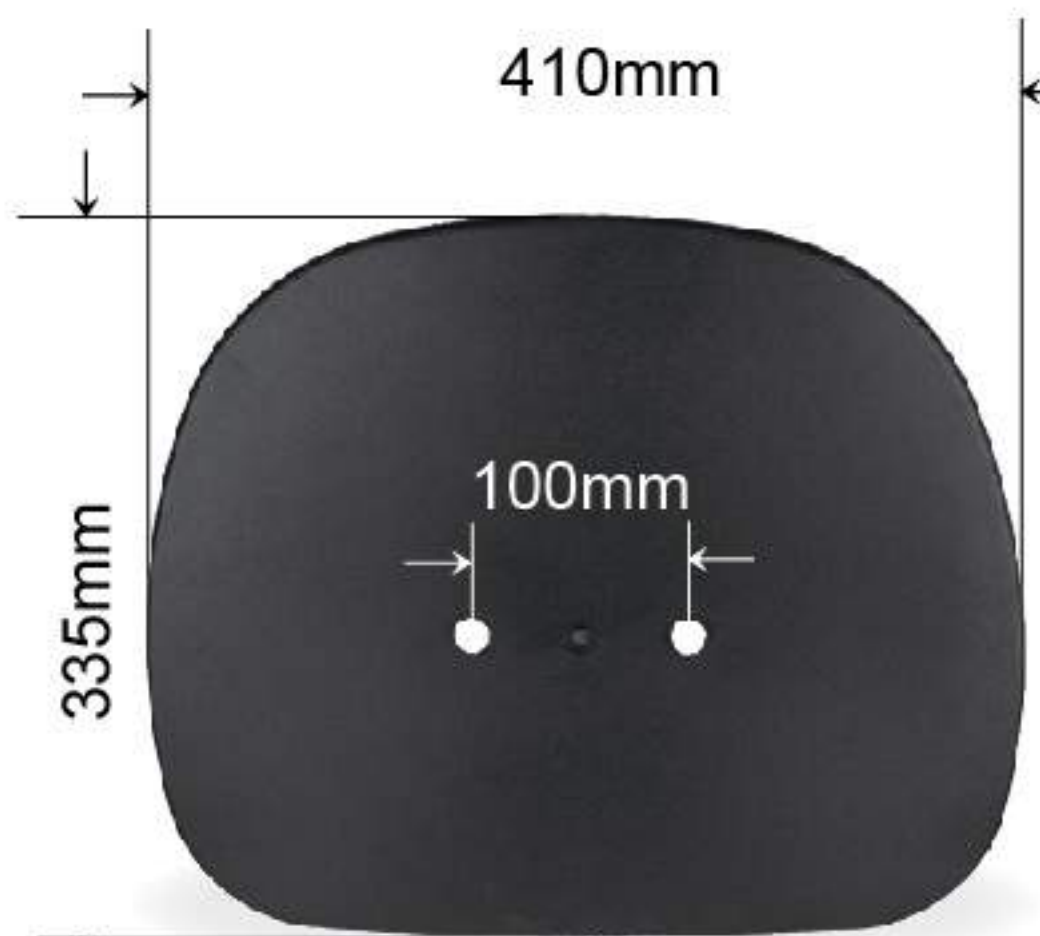
HT-010 Seat Cover
20pcs/CTN/4.8'



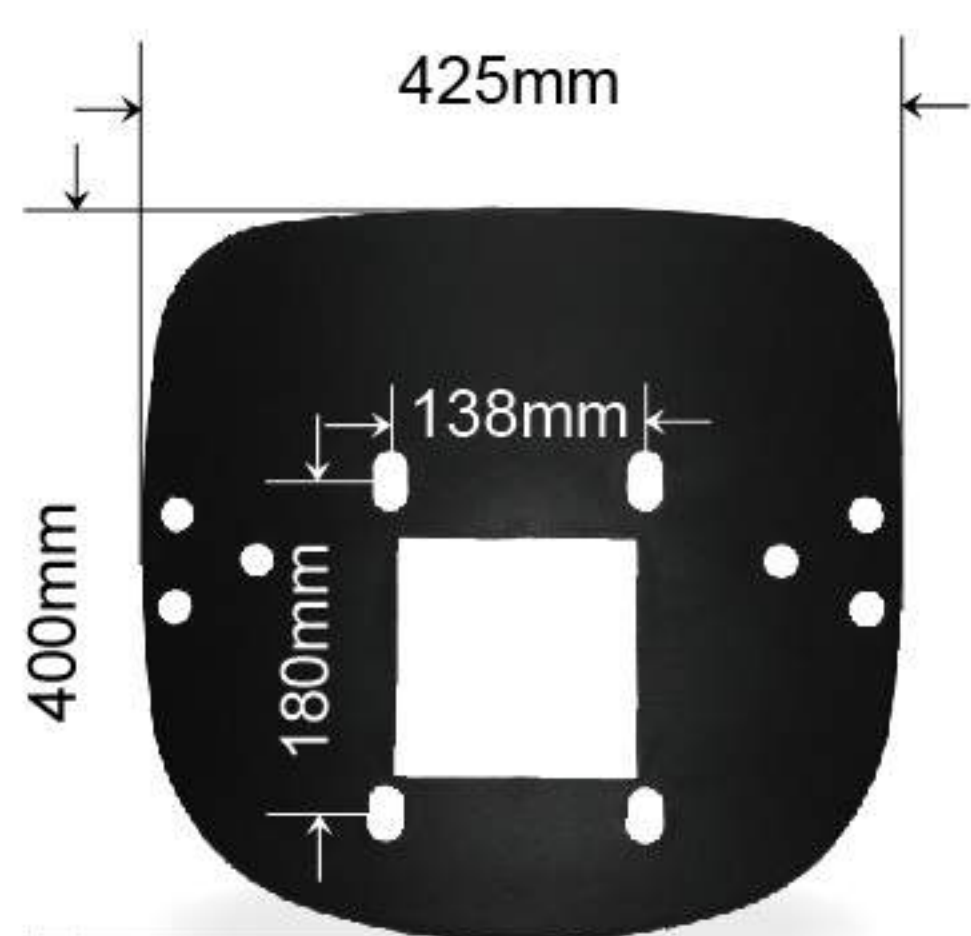
HT-011 Seat Cover
25pcs/CTN/5.2'



HT-006 Seat Cover
60pcs/CTN/4.7'



HT-007 Back Cover
50pcs/CTN/3.4'



HT-008 Seat Cover
50pcs/CTN/4.7'



HT-012 + HT-013



HT-012 Back Outer Cover
20pcs/CTN/4.5'



HT-013 Back Inner Cover
25pcs/CTN/4.5'



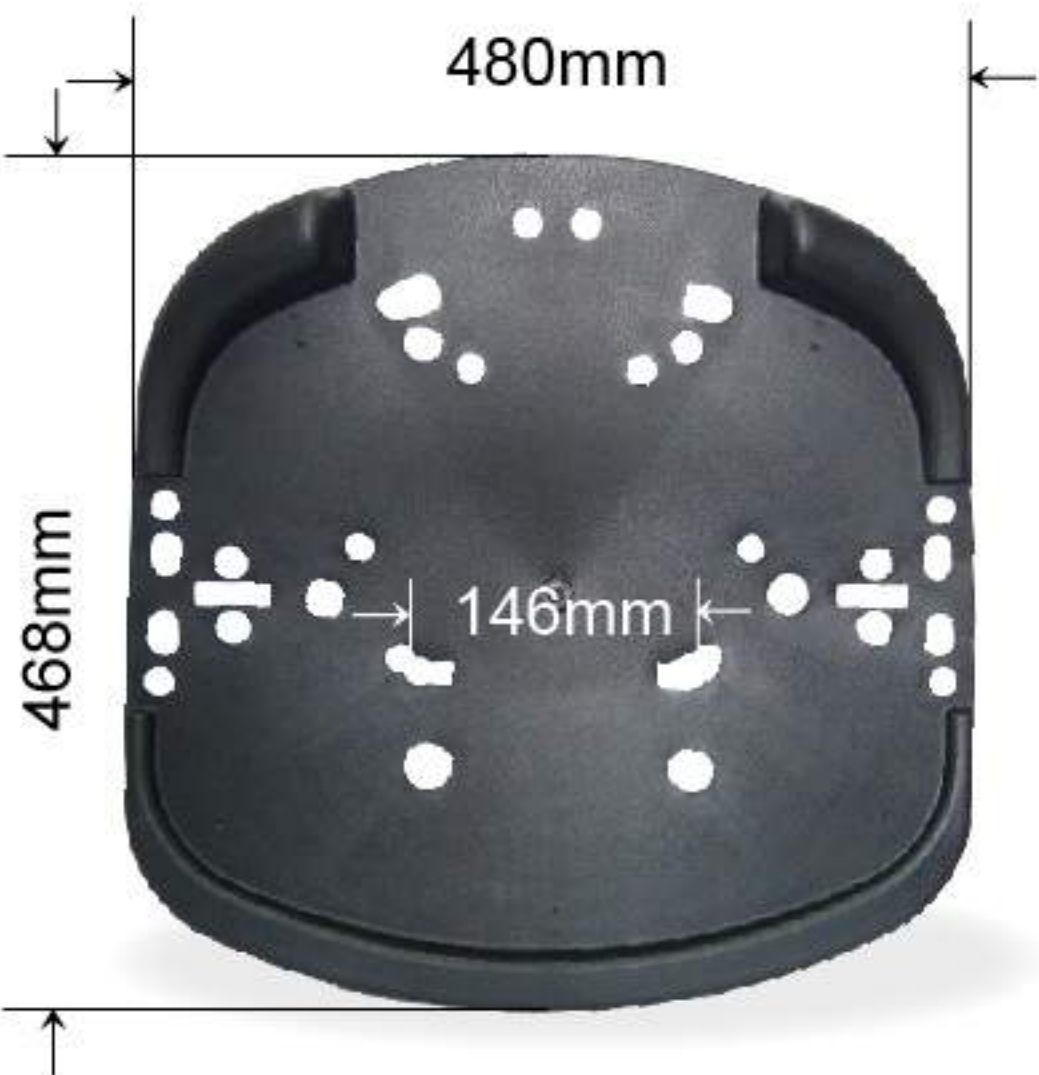
HT-014 + HT-015



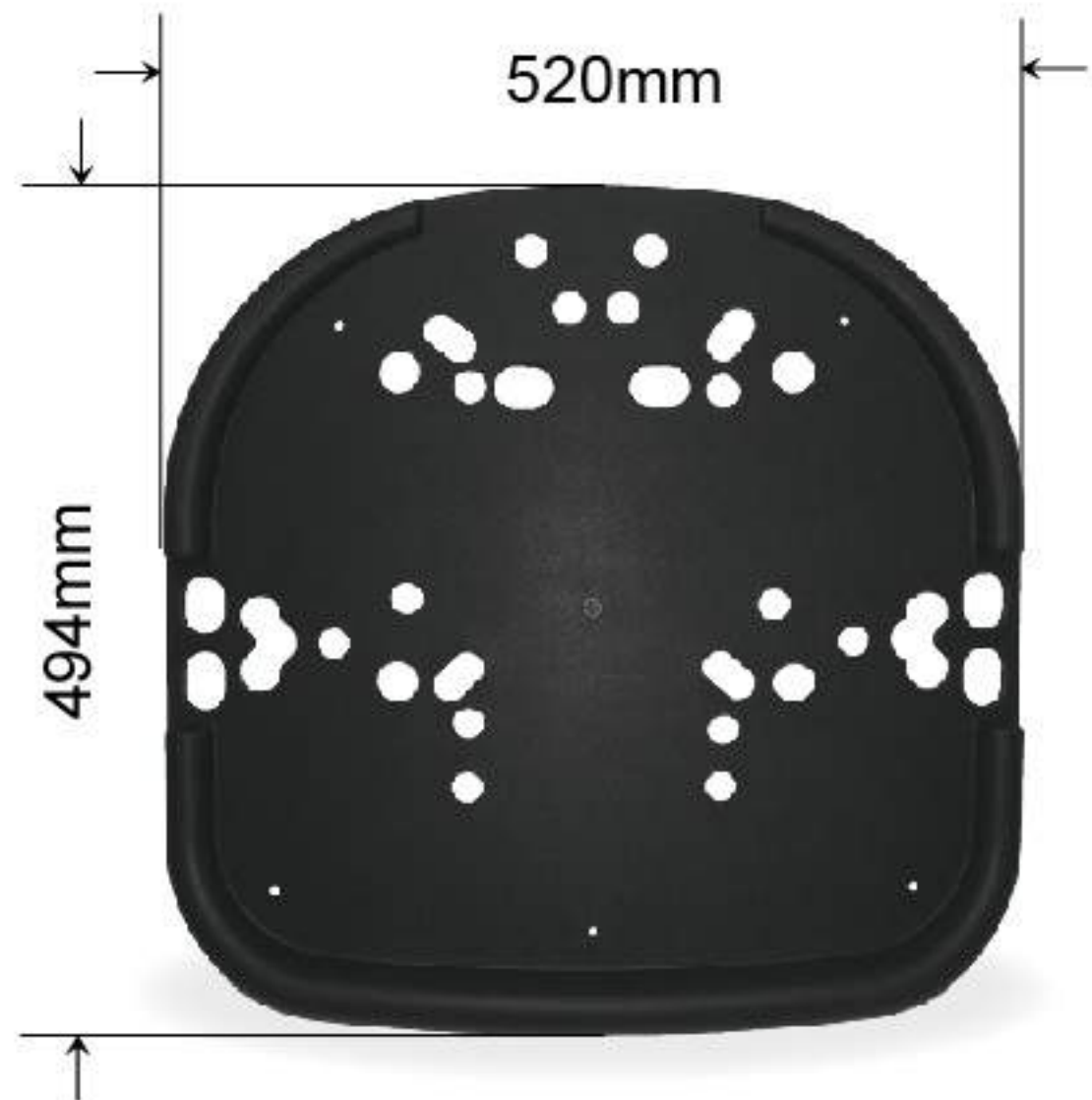
HT-014
Back Outer Cover
30pcs/CTN/6.8'



HT-015
Back Inner Cover
20pcs/CTN/2.6'



HT-016 Seat Cover
30pcs/CTN/6'



HT-017 Seat Cover
20pcs/CTN/4'



HT-019 + HT-020
10sets/CTN/5.4'



HT-019
Back Outer Cover



HT-020
Back Inner Cover

HT-018-1 Back Outer Cover



HT-018-2 Back Inner Cover



HT-018-3 Ornamental Cover



HT-029-3 Ornamental Cover for BB07 Back Bone



BACK : HT-018M
SEAT : HT-017

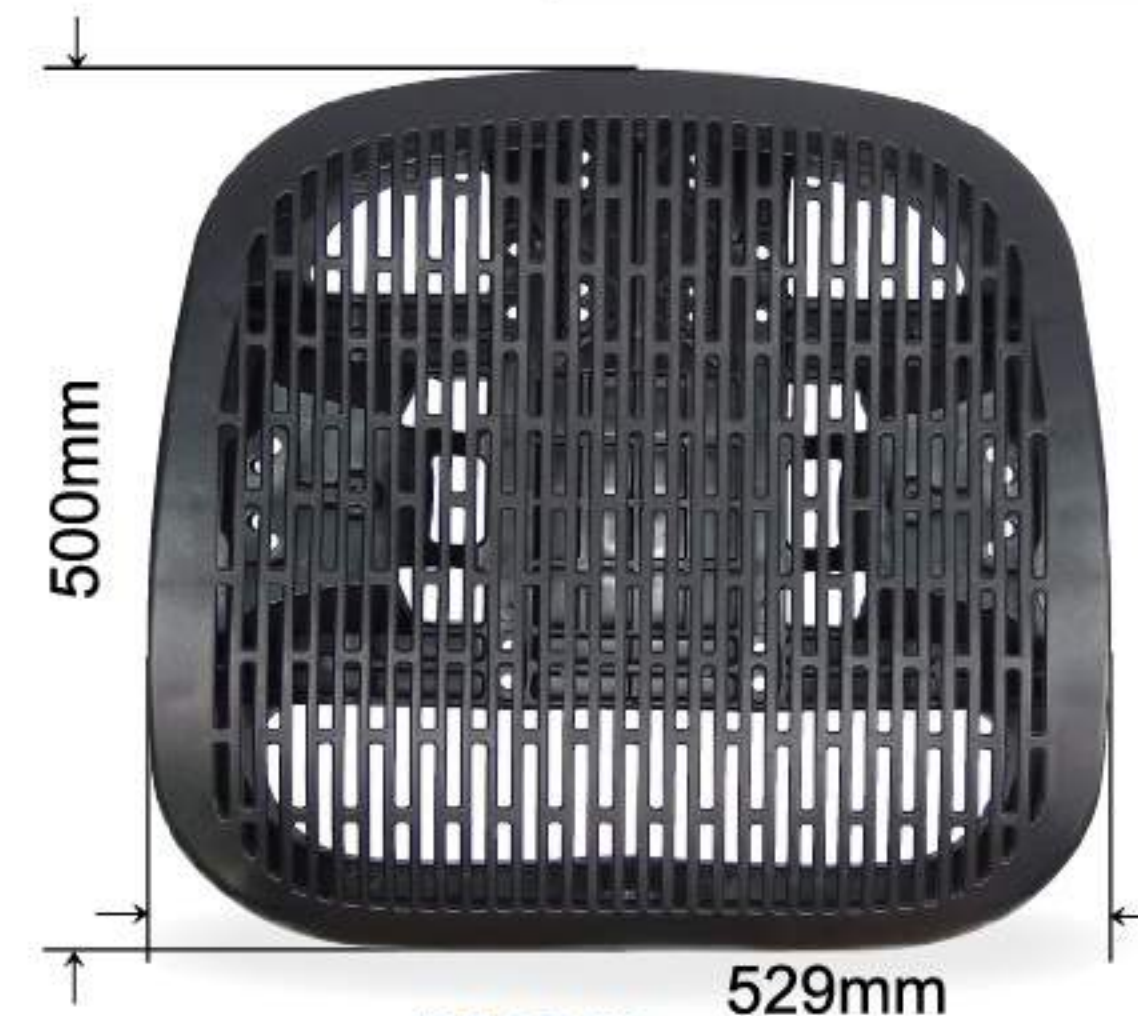


HT-018M

Code	PCS / CTN	Cuft
HT-018M	5	4.3
HT-018-1	15	4.6
HT-018-2 + HT-018-3	15	3.3



HT-021-5 Seat Inner Cover



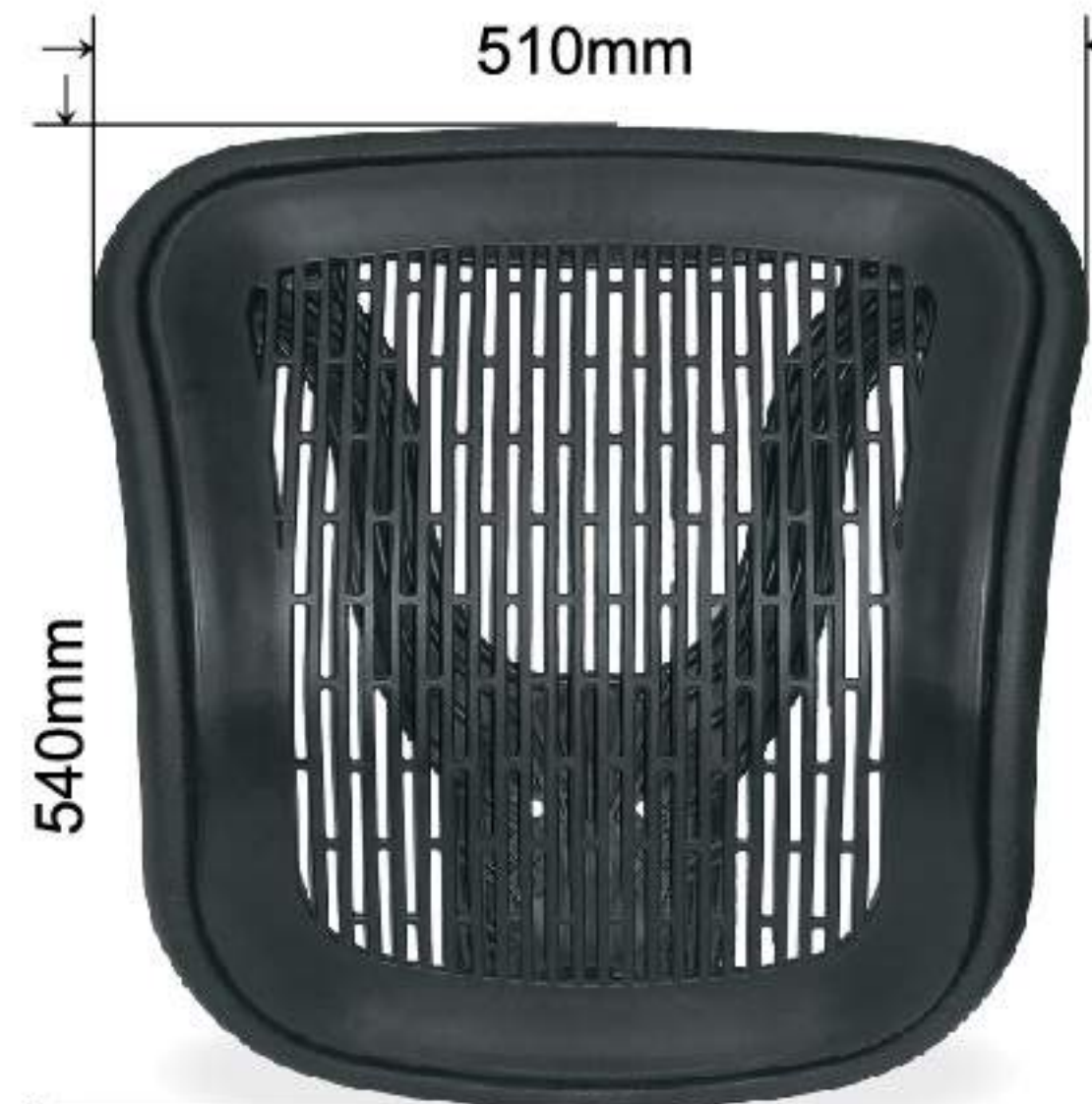
HT-021H



BACK : HT-018H
SEAT : HT-021H



HT-018-5 Back Inner Cover



HT-018H

Code	PCS/CTN	Cuft
HT-018H	5	4.3
HT-018-5	15	4.8
HT-021H	4	5.2
HT-021-5	15	4.93



BACK : HT-022M
SEAT : HT-021M



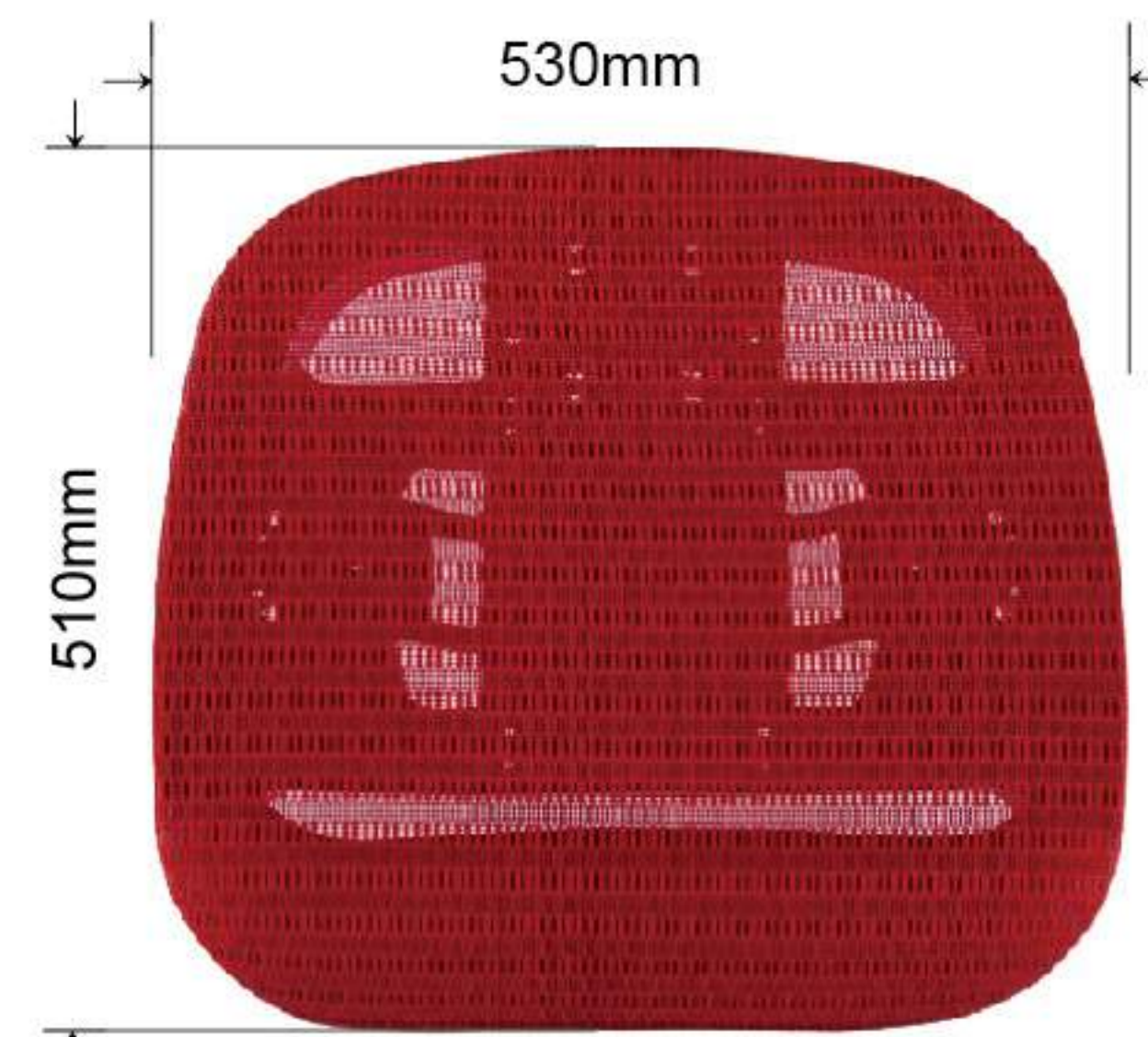
HT-021-1 Seat Outer Cover



HT-021-2 Seat Inner Cover



HT-021-3 Foam for HT-021M



HT-021M

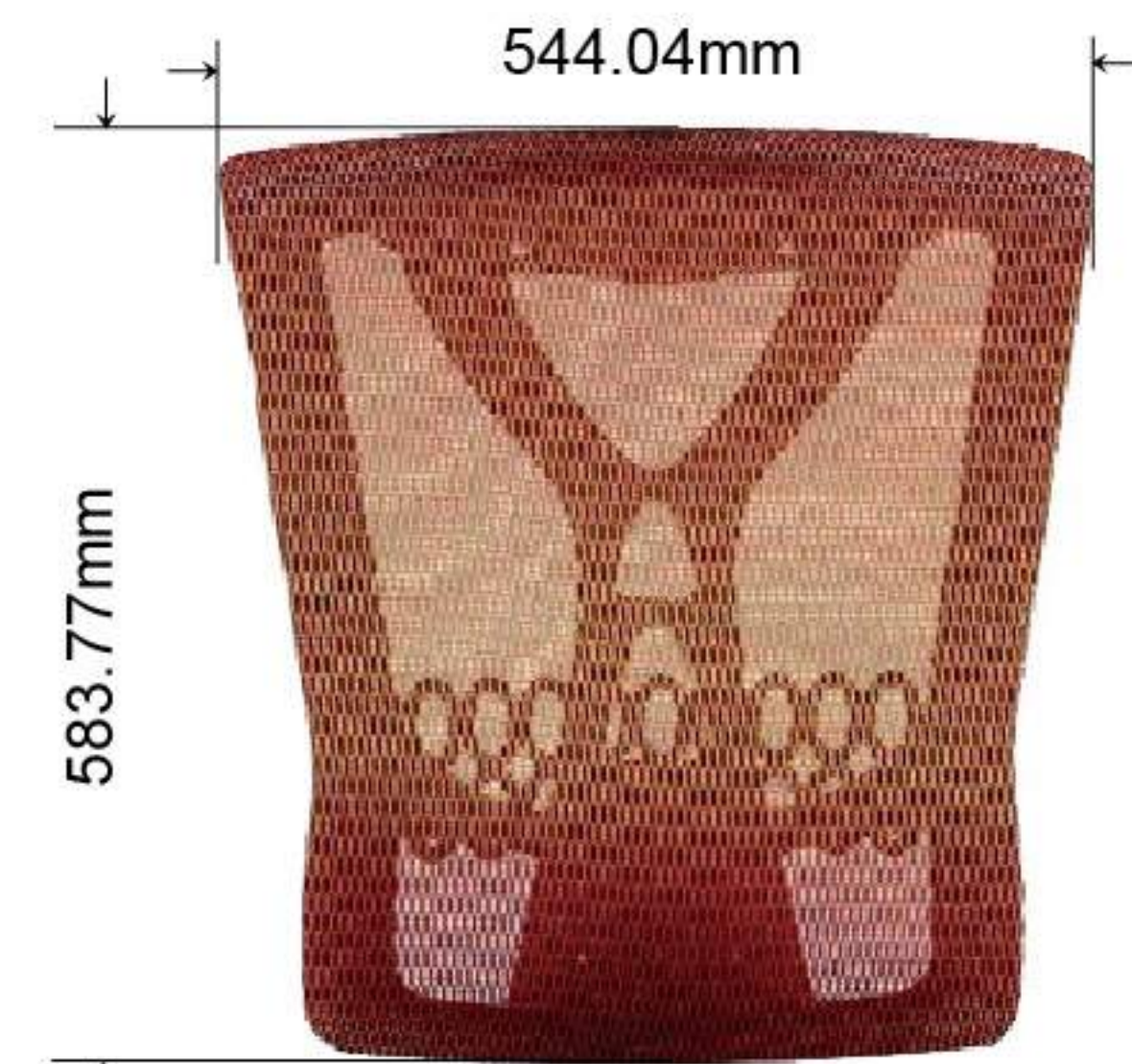
Code	PCS/CTN	Cuft
HT-021M	4	5.2
HT-021-1	5	3.54
HT-021-2	15	4.51
HT-021-3	40	6.08



HT-022-1 Back Outer Cover



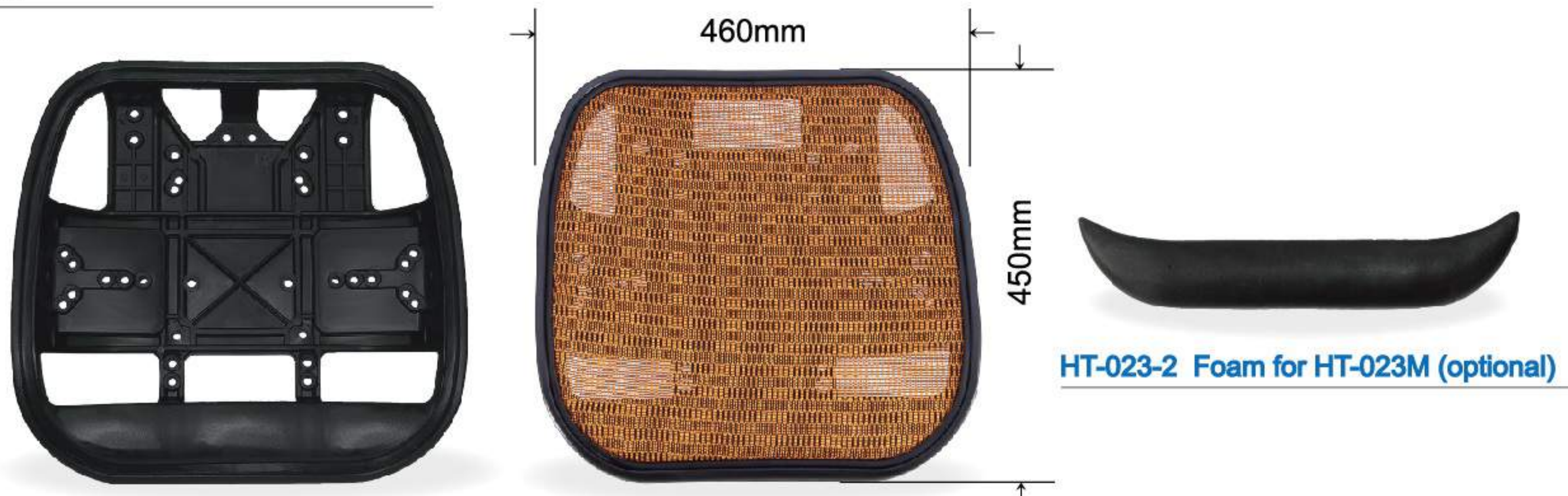
HT-022-2 Back Inner Cover



HT-022M



Code	PCS / CTN	Cuft
HT-022M	4	6.7
HT-022-1 + HT-018-3	10	8
HT-022-2	10	5.3



HT-023-1

HT-023M

HT-023-2 Foam for HT-023M (optional)

BACK : HT-024M
SEAT : HT-023M



HT-024



HT-024M

Code	PCS/CTN	Cuft
HT-023M	8	5.2
HT-023-1	10	5.2
HT-023-2	35	1.3
HT-024M	10	6.13
HT-024	10	5.6



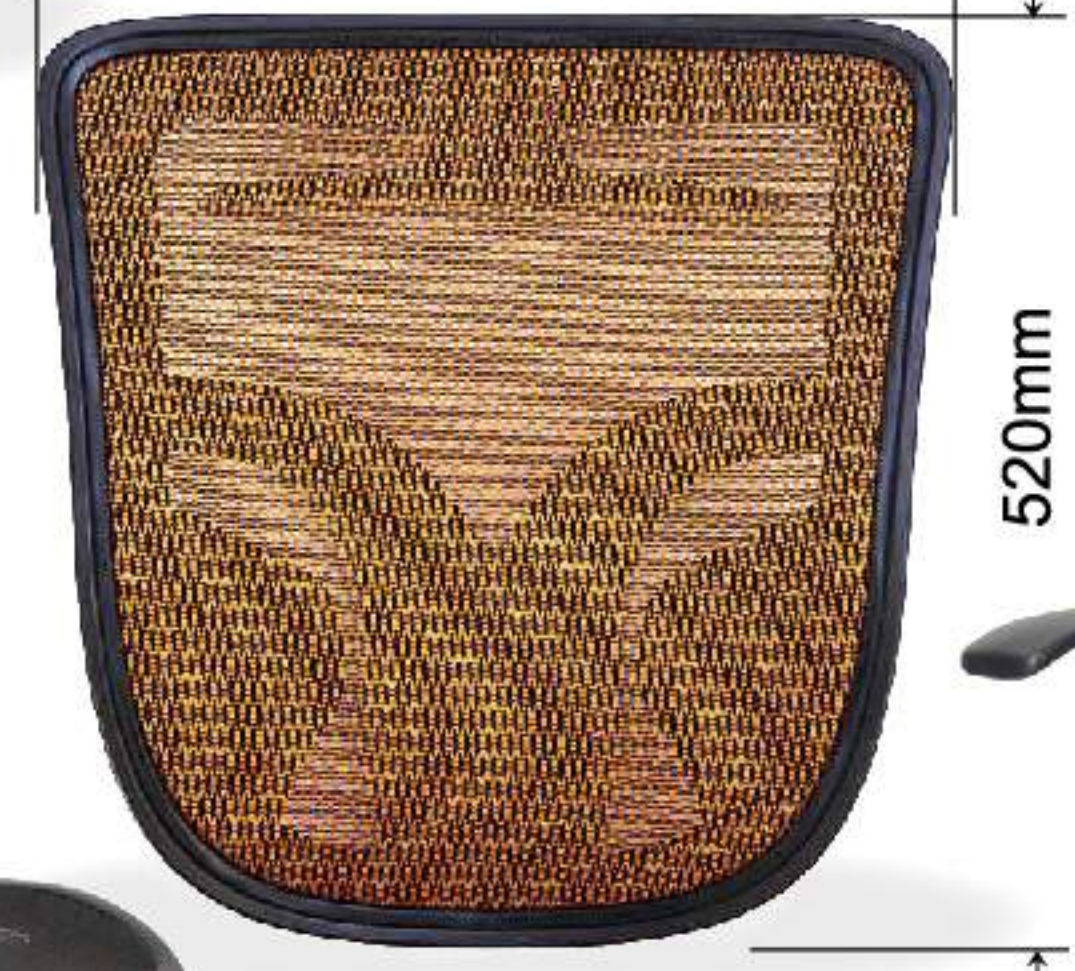
HT-026C
11pcs/CTN/4.2'



HT-026
12pcs/CTN/4.2'



BACK : HT-026CM
SEAT : HT-025M



BACK : HT-026M
SEAT : HT-016



BACK : HT-027M
SEAT : HT-016



HT-027
6pcs/CTN/5.2'



HT-027M
5pcs/CTN/8.1'

BACK : HT-028M
SEAT : HT-025M



HT-028
8pcs/CTN/5.6'



HT-028M
8pcs/CTN/6.13'

45 CHAIR COVERS



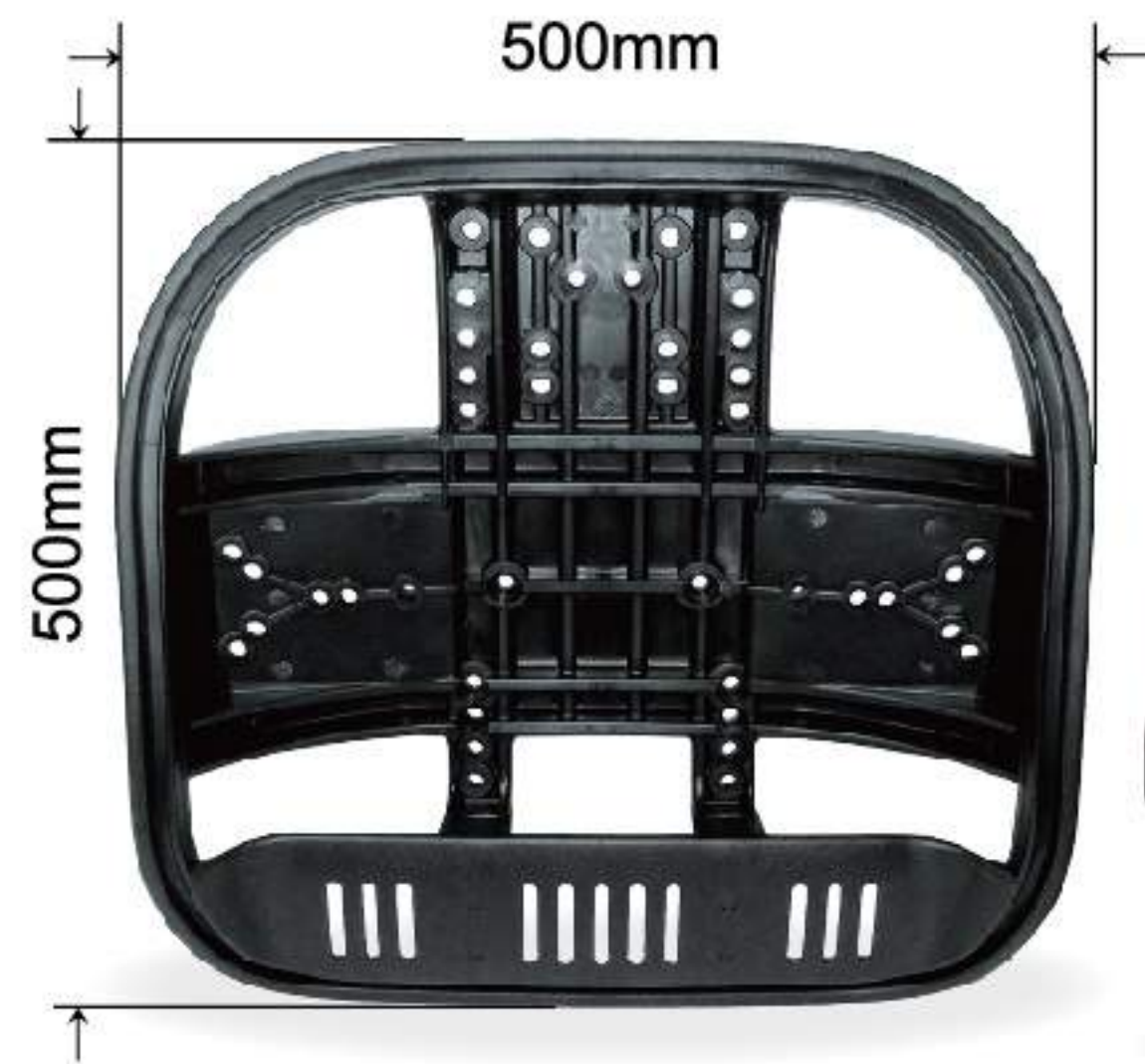
HT-029
10pcs/CTN/6.29'



HT-029M
5pcs/CTN/6.29'



BACK : HT-029L
SEAT : HT-025L



HT-025
10pcs/CTN/5.52'



HT-025M
5pcs/CTN/5'



HT-025-2
35pcs/CTN/1.3'

HEADRESTS 46



HR-01 · HR-01M

Code	PCS / CTN	Cuft
HR-01	12	2.7
HR-01M	12	2.7



HR-03

Code	PCS / CTN	Cuft
HR-03	12	2.27



HR-04 · HR-04M

Code	PCS / CTN	Cuft
HR-04	20	4.7
HR-04M	17	4.7



HR-05 · HR-05M

Code	PCS / CTN	Cuft
HR-05	20	2.05
HR-05M	10	1.74

ACCESSORIES



HT-910



HT-912



HT-913



HT-S01



HT-LC01



HT-LC02



HT-HC01



HT-LC Brass

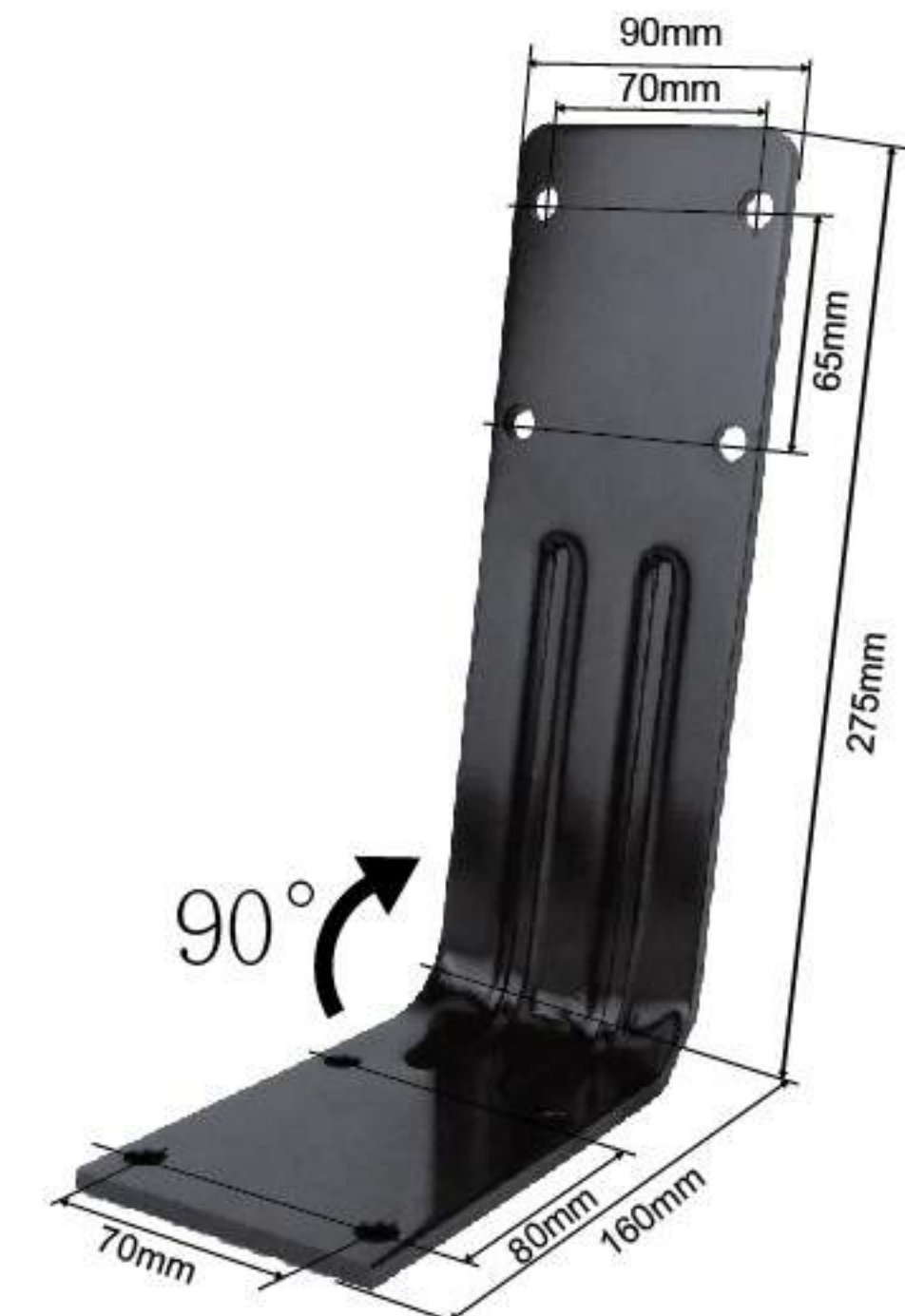


HT-M1



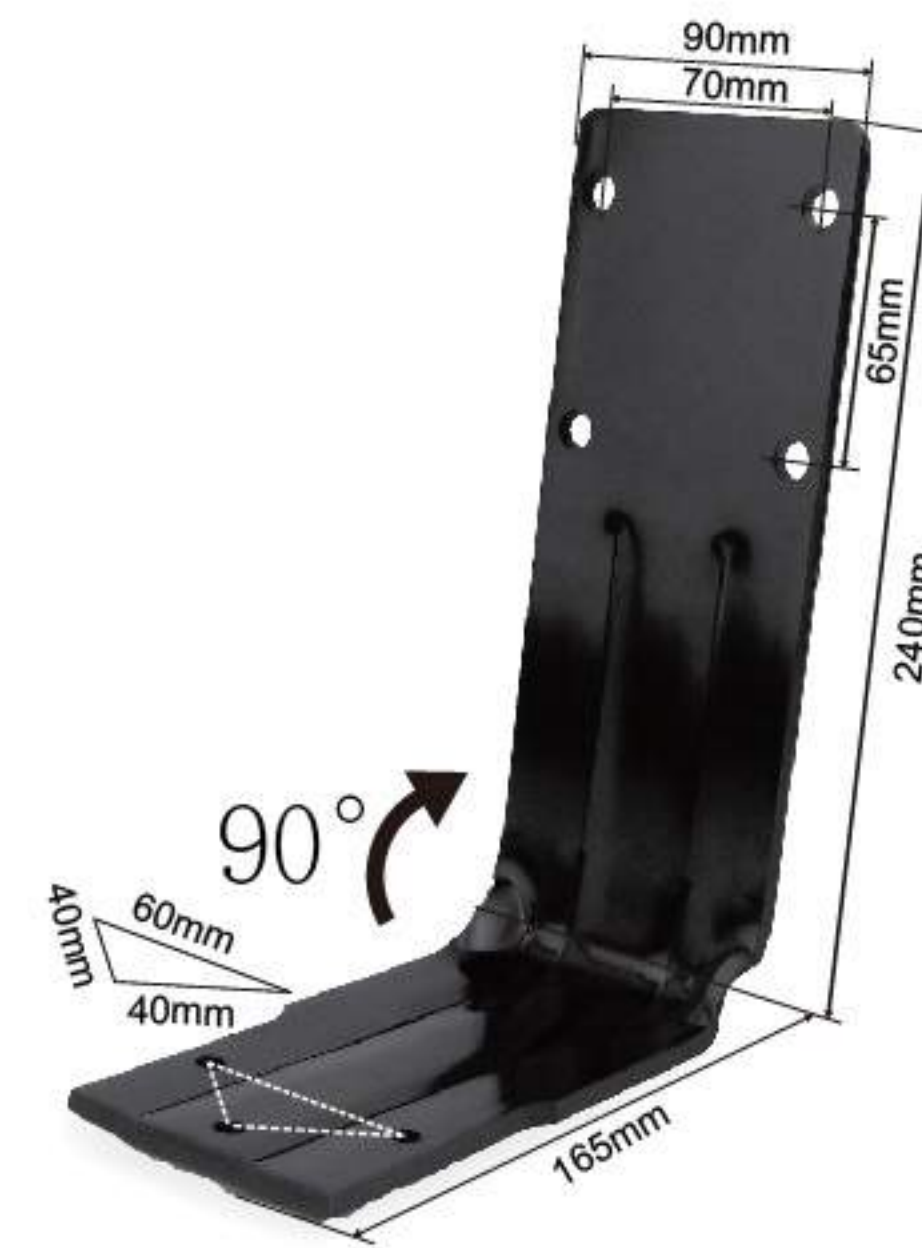
HT-BB01 (018-4)

10pcs/CTN/0.33'



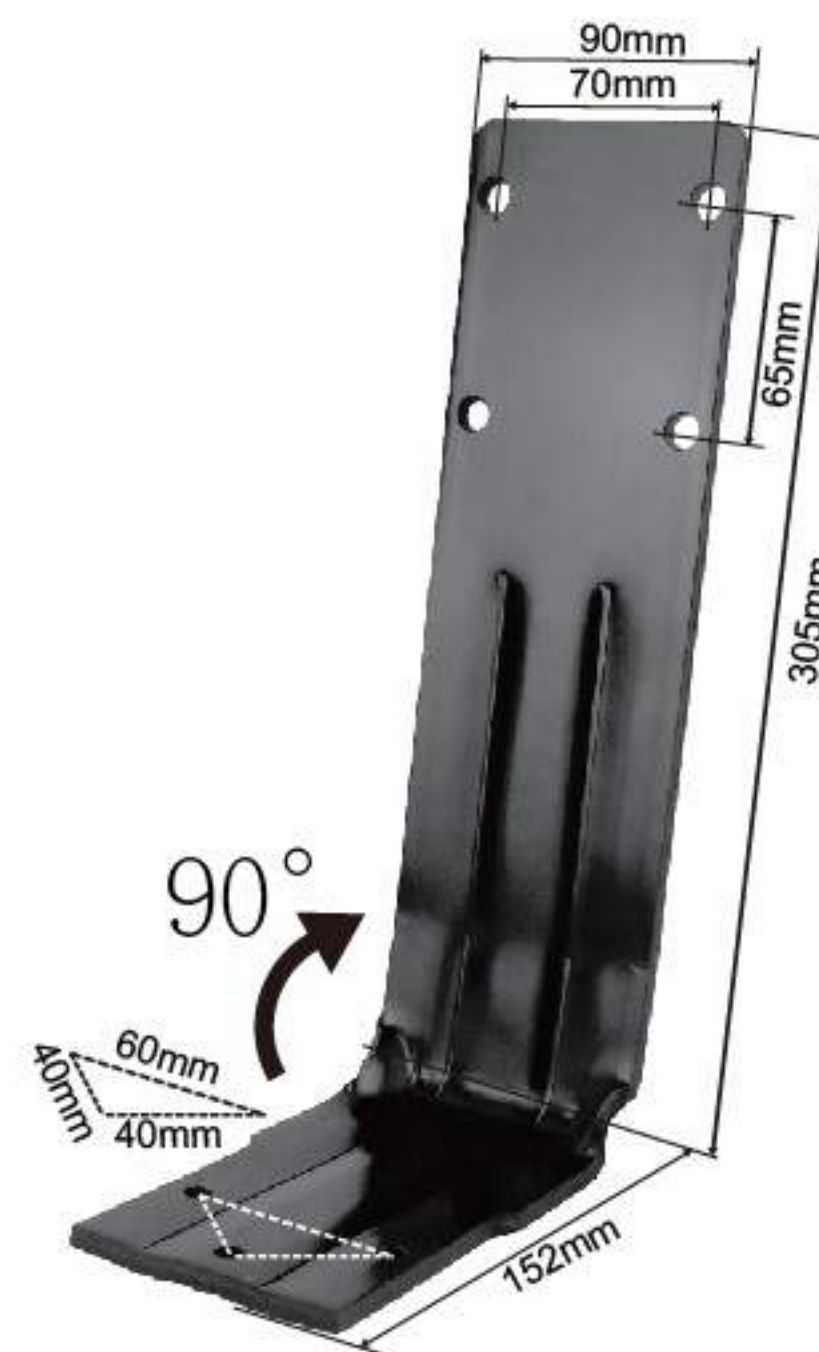
HT-BB02 (029)

10pcs/CTN/0.33'



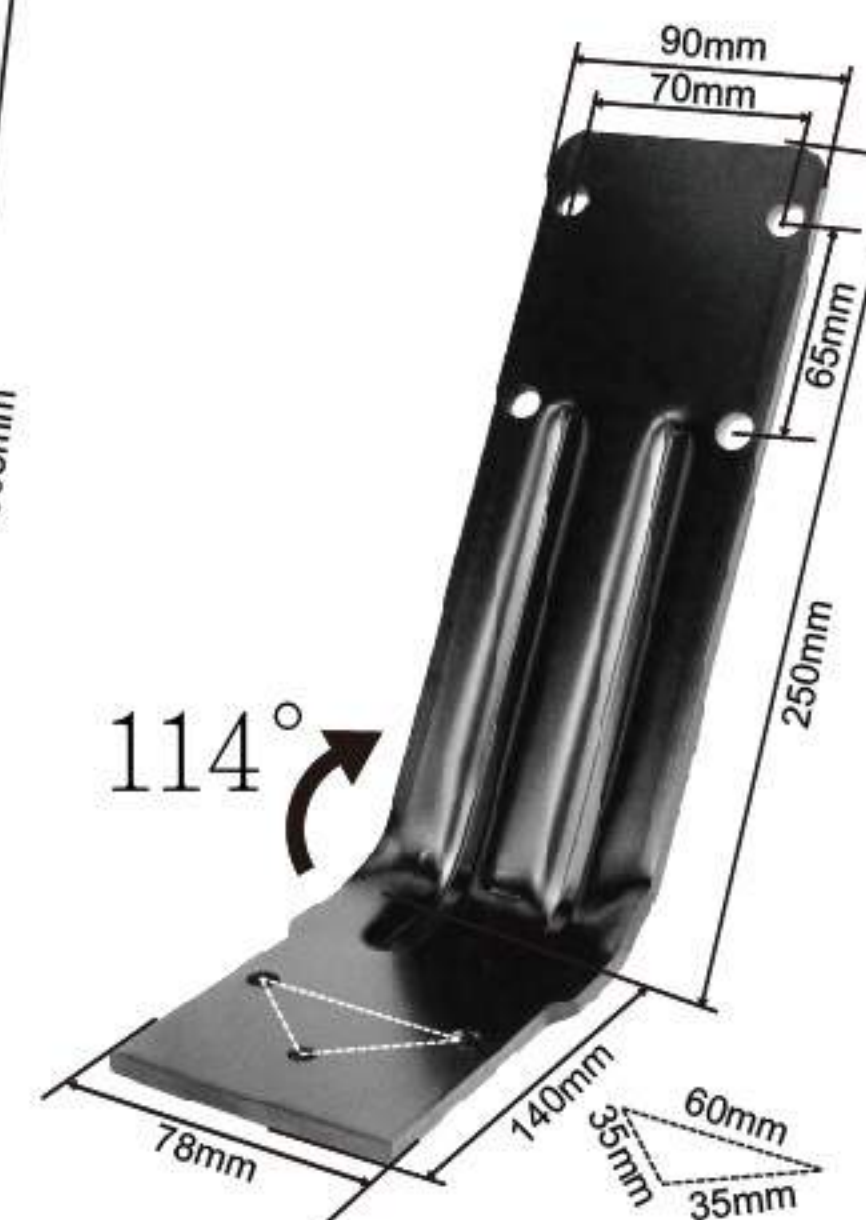
HT-BB03

10pcs/CTN/0.33'



HT-BB04

10pcs/CTN/0.33'



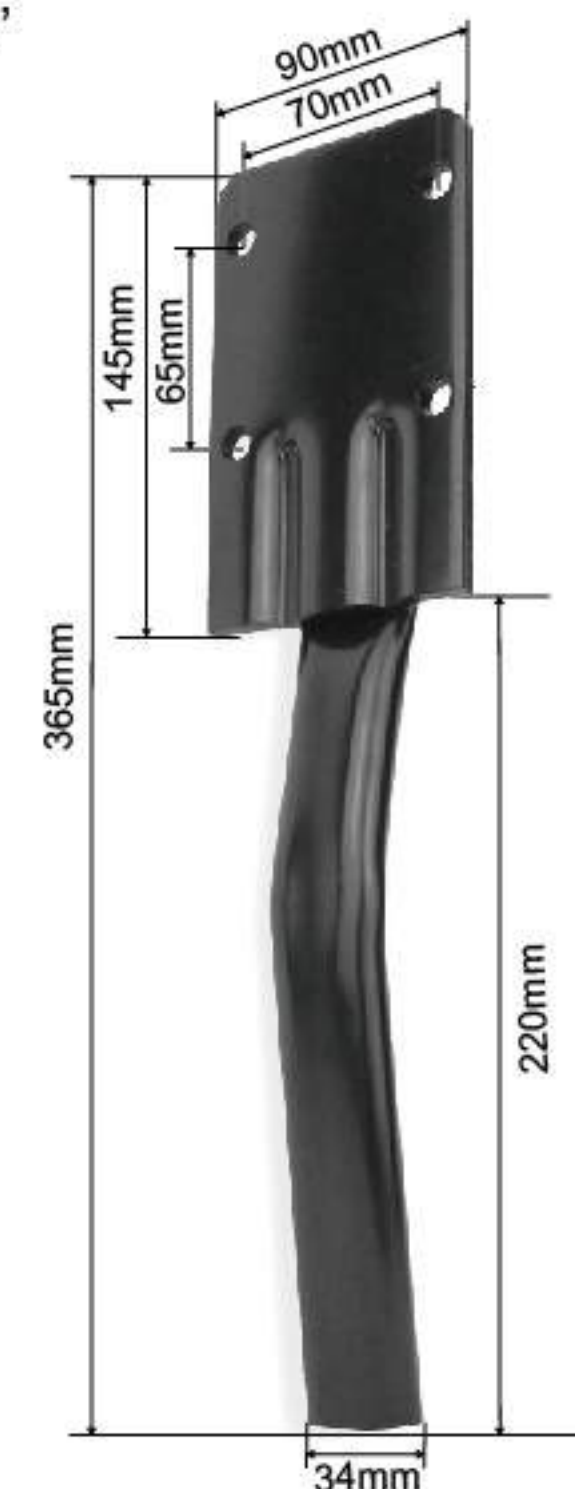
HT-BB05 (022-4)

10pcs/CTN/0.33'



HT-BB06 (024 and 028)

20pairs/CTN/0.23'



HT-BB07

20pcs/CTN/0.42'



HT-FM01
6pcs/CTN/2.5'



HT-FM02
4pcs/CTN/2.29'



HT-FM03
10pcs/CTN/2.01'



HT-GM01
10pcs/CTN/1.2'



HT-GM02
10pcs/CTN/1.8'



HT-GM03
10pcs/CTN/1.6'



HT-GM04
30pcs/CTN/1.5'



HT-701-2
15pcs/CTN/0.49'



HT-701-3
20pcs/CTN/1.5'



HT-701-1
70pcs/CTN/1.32'



51



52

- BIFMA standard - 100% New Material
- Made In Taiwan - Anti-UV Agents
- Stackable - Gas assisted Injection

PUBLIC SPACE CHAIRS





BUBBLE 泡泡

Code	PCS/CTN	Cuft
HT-SC01	6	14.89



Stackable





SHELL 貝殼

Code	PCS/CTN	Cuft
HT-SC01-1	6	14.89



Easy Carrying



Nestle 鳥巢

Code	PCS/CTN	Cuft
HT-SC02	6	14.89



100% New Material





SGS TEST REPORT
 Mechanical & Hinge/Plastic Laboratory
 Report No.: HL50162/2019
 Page: 1 of 2
 Date: MAY 14, 2019

HUN TAI PLASTIC CO., LTD.
 47-7 Anan Lane, Changling Village, Hsinchu Hsing, Changhua Hsin, Taiwan 504, R.O.C.

The following merchandise was submitted and identified by the applicant as:
 Product Description: Public Space Chair
 Style/Item No.: HT-SC02-1
 Manufacturer/Supplier: HUN TAI PLASTIC CO., LTD.
 Country of Origin: Taiwan

We have tested the submitted sample(s) as requested and the following results were obtained:
 TYPE II: Load and angle tested

Test Requested: For compliance with ANSIBIFMA X5.1-2017 General-Purpose Office Chairs-Tests
 Chinese 7Step test - Dynamic

Test Methods: According to test procedure of ANSIBIFMA X5.1-2017
 Test Results: ---See following photo(s)---
 Conclusion: The submitted sample(s) **complies with** Clause 7 of ANSIBIFMA X5.1-2017 General-Purpose Office Chairs-Tests.

Date of Report: May 08, 2019
 Testing Period: May 08, 2019 - May 14, 2019

Signed for and on behalf of
 SGS Taiwan Ltd.
 Signature Yang
 Supervisor

SGS TEST REPORT
 Mechanical & Hinge/Plastic Laboratory
 Report No.: HL50162/2019
 Page: 2 of 2

Features	Construction	Criteria	Results	Usage
Material	ABS/PP/PE	Material of construction shall be 100% virgin plastic resin (i.e. 100% virgin plastic resin) and shall be free of any additives or fillers.	Pass	Pass
Color	Color	Color shall be consistent with the color of the sample.	Pass	Pass
Finish	Finish	Finish shall be consistent with the finish of the sample.	Pass	Pass

Photo A: Appearance of the sample - front
 Photo B: Appearance of the sample - side
 Photo C: Appearance of the sample - back
 Photo D: Top view of the chair

Puno 大樹

Code	PCS/CTN	Cuft
HT-SC02-1	6	14.89

BIFMA standard



Gas Assisted Injection Molding



Rattan 藤紋

Type	PC / CTN	Cuft
HT-SC03	4	20.71

